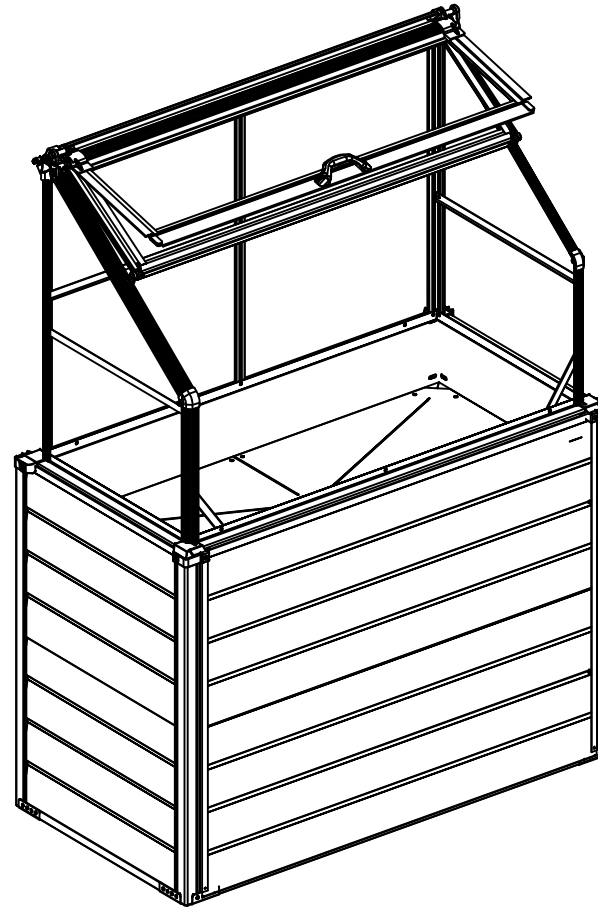


# Balcony Mini-Greenhouse

## Assembly Instruction

---

Overall Size/cm: L120 x W62 x H169  
Overall Size/inch: L47"x W24.4"x H66.5"



---

**9820510**

### **IMPORTANT**

You must read these instructions carefully before you start to assembly.

Please ensure that you find all parts in the correct type and quantity as mentioned in the list.

Please carry out the steps according to the instructions.

**Do not tighten the steps until completing on the assembly of the whole product.**

Keep the instruction manuals in a safe place for future reference.



# IMPORTANT

If you have any problems with this product, please

## **DO NOT RETURN THIS ITEM**

To the Retailer/Store from where you purchased the product.

Please email us anytime with the nature of the problem at:

**ContactUs@Hanover-Products.com**

Please include:

- Pictures of the issue(s) and receipt (if available)
- Name and address of the Purchaser
- Name of retailer

Or call our Customer Service team between 9:00 AM and 5:00 PM Eastern Time,  
Monday through Friday at:

**1-877-397-5144**

or visit our website at:

**[www.Hanover-Products.com](http://www.Hanover-Products.com)**

To expedite any future warranty claims, please retain your receipt for future use.

For additional on-line support on assembly, troubleshooting and care & maintenance of your outdoor product, please visit our website at: **[www.Hanover-Products.com](http://www.Hanover-Products.com)**.

## SAFETY ADVICE

We strongly recommend the use of work gloves during assembly.  
Do not attempt to assemble the greenhouse in windy or wet conditions,  
Do not touch overhead power cables with the aluminum profiles.  
Always wear shoes and safety goggles when working with extruded aluminum.  
Dispose of all plastic bags safely-keep them out of reach of little children.  
The greenhouse must be positioned and fixed on a flat level surface.  
Do not lean against or push the greenhouse during construction.  
Keep children away from the assemble area.  
Do not position your greenhouse in an area exposed to excessive wind.  
Do not attempt to assemble this greenhouse when you feel tired , or have taken drugs or alcohol or if you are prone to dizzy spells.  
If using a step ladder or power tools ensure that you follow the manufactures safety advice.  
Hot items such as recently used grills, blowtorches etc. can not be stored in the greenhouse.  
Ensure there are no hidden pipes or cables in the ground before inserting the pegs.

## GENERAL ADVICE

This is a multi-part assembly, Allow at least 60 minutes for assembly.  
Selecting a site-choose a sunny level position away from overhanging trees.  
If you are fixing your greenhouse directly to a solid concrete foundation use the pre drilled holes in the metal base supplied.  
The component parts should be checked and laid out close at hand.  
Keep all small parts(screws etc)in a bowl so they do not get lost.  
Note that the door is hinged on the right hand side and therefore opens to the right. Keep roof clear of snow and leaves.

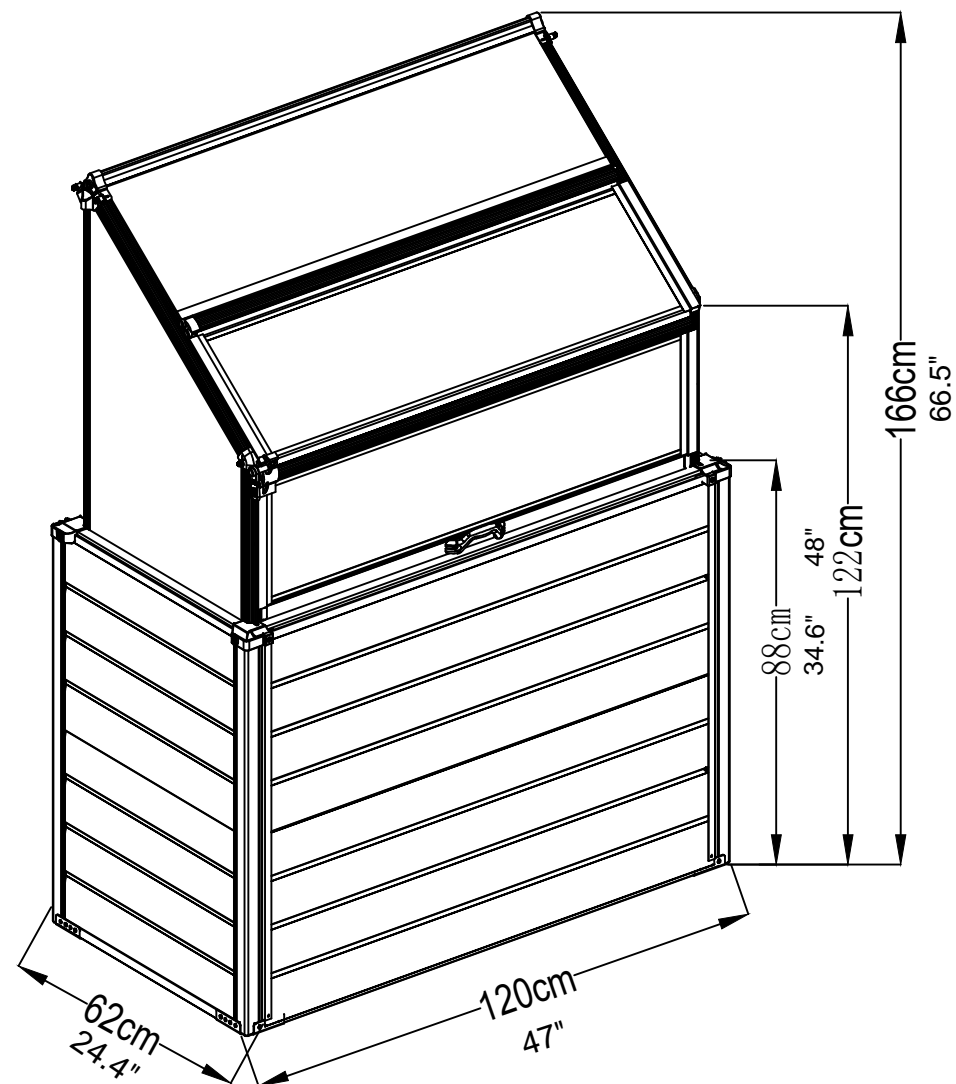
## CARE & MAINTENANCE

When your greenhouse needs a clean, use a mild detergent solution and risen with cool clean water.  
Do NOT use acetone, abrasive cleaners or other special detergents to clean the clear panels.



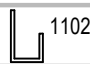


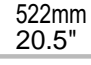



















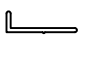




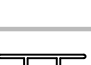











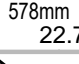
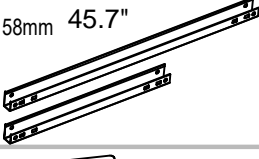









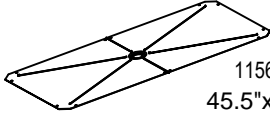


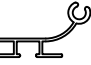

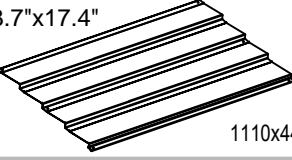




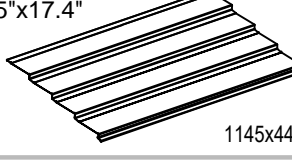



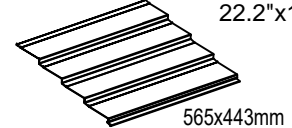
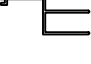

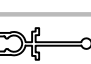
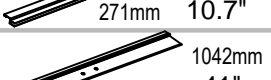


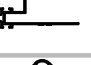



## TOOLS & EQUIPMENT REQUIRED

Silicone sealant, bradawl, crosshead screwdriver, step ladder,Tape.  
Work gloves, Spirit level, Lubricant, rubber mallet,0.08" metal drill bit.

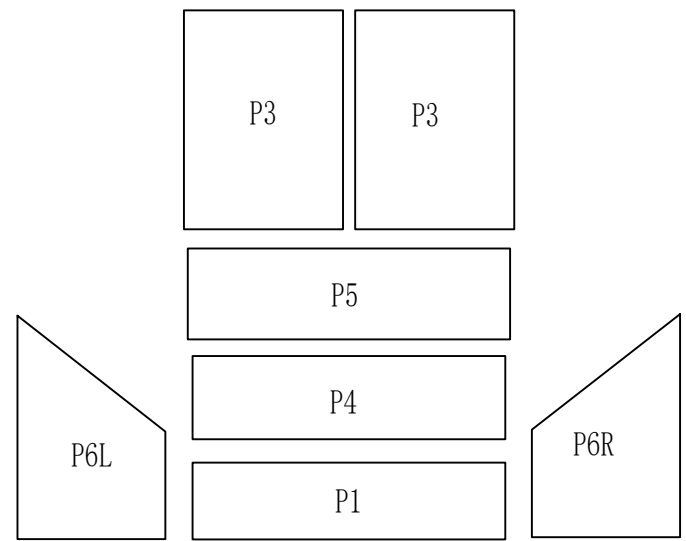
## PRODUCT SIZE



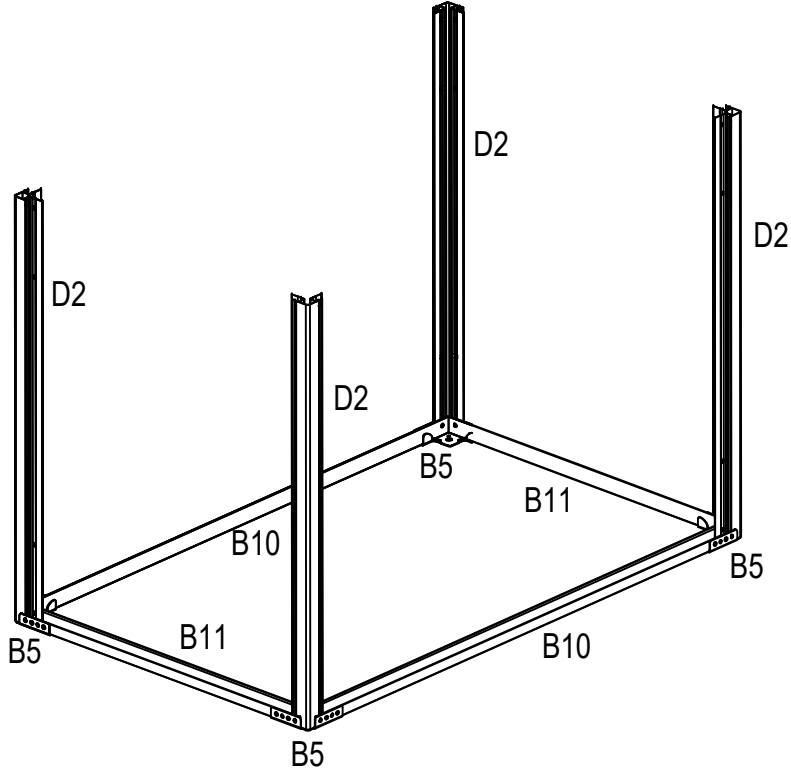
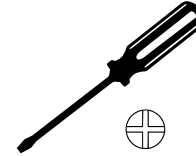
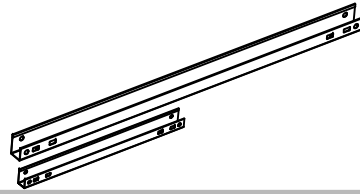
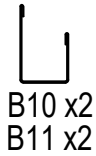
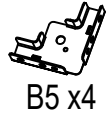
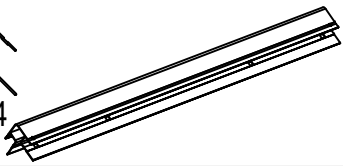
# PARTS LIST

NO.	Qty.		NO.	Qty.		NO.	Qty.		NO.	Qty.	
1	2	  1102mm 43.3"	4	1	 1102mm 43.3"	F1	8	 ST5x30	S2L	1	
2	2	 522mm 20.5"  1102mm 43.3"	B1	2		F2	2	 ST5x20	S2R	1	
3	2	 	B3	2		F3	26	 ST5x10	S3	2	
12	2	 350mm 13.8"  <b>TOP</b>	B5	4		F4	40	 M4x9	S5	2	
13	2	 615mm 24.2"  726mm 28.6"	B6	2		F5	24	 M6x9	S6	2	
5	1	 1102mm 43.3" 	B7	2	 1161mm 45.7"	F6	13	 ST4x8	S7L	1	
14	2	  522mm 20.5"	B12	2	 581mm 22.8"	F7	16	 M6x12	S7R	1	
6	1	  <b>TOP</b> 726mm 28.6"	B10	2	 1158mm 45.7"	F8	4	 M6x10	S8L	1	
7	2	  22mm 0.86"	B11	2	 578mm 22.7" 	S1	2		S8R	1	
8	1	  1102mm 43.3"	B13	1	 1112mm 43.8"	S1L	1		S9L	1	
9	2	  154mm 6"	P6	1	 1156x575mm 45.5"x22.6"	S1R	1		S9R	1	
10	1	  1062mm 41.8"	P7	2	 43.7"x17.4" 1110x443mm	S10	1		GB	1	
11	2	  1042mm 41"	P8	2	 45"x17.4" 1145x443mm	G3	1				
W1	3	  1042mm 41"	P9	4	 22.2"x17.4" 565x443mm						
W5	2	 293mm 11.5" 									
W4	2	 271mm 10.7" 									
W3	1	  1042mm 41"									
D1	2	  845mm 33.2"									
D2	4	  866mm 34"									

## SUMMARY STATEMENT FOR POLYCARBONATE PANEL

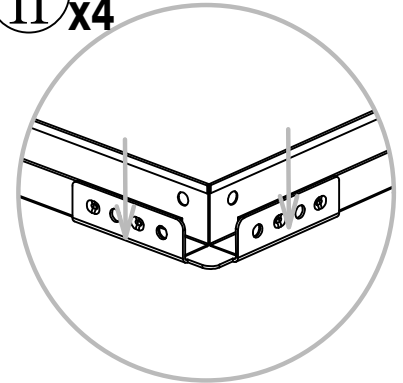
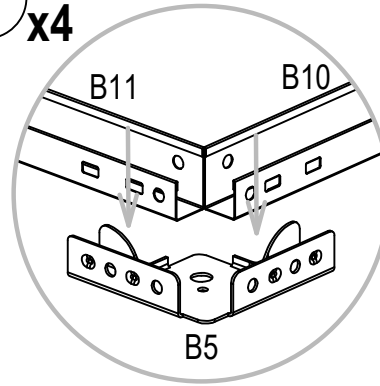


Towards the white film side to the sun as it is UV-protected.

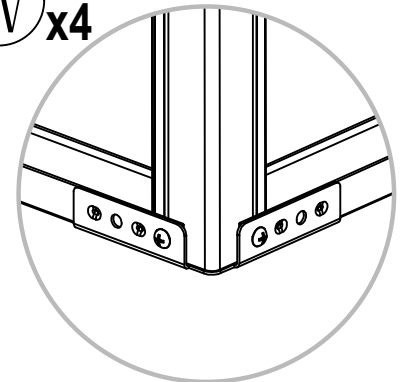
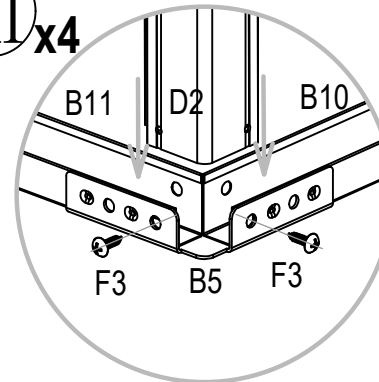


Base and Frame Assembly

Anchor Installation

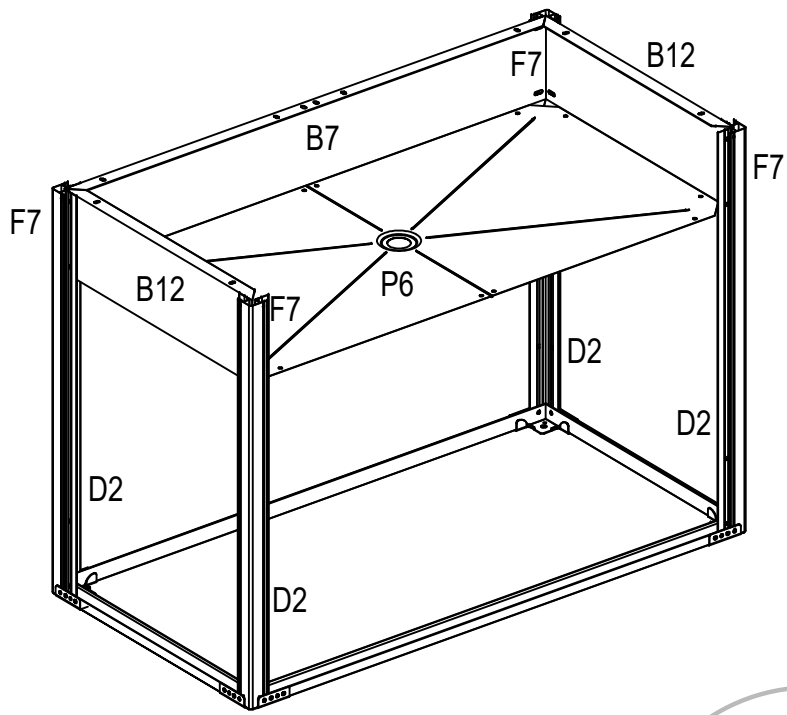
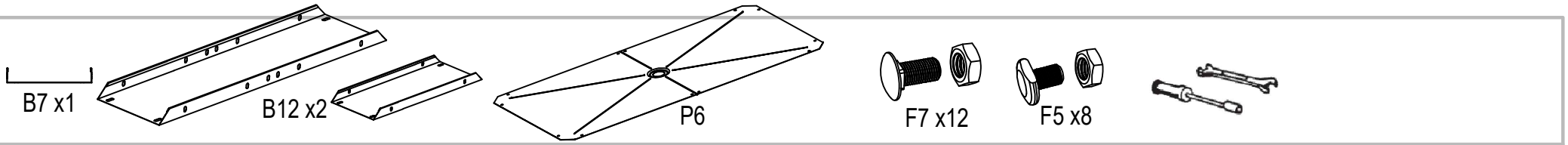


Attach the anchor B5 to the corner of base B10.



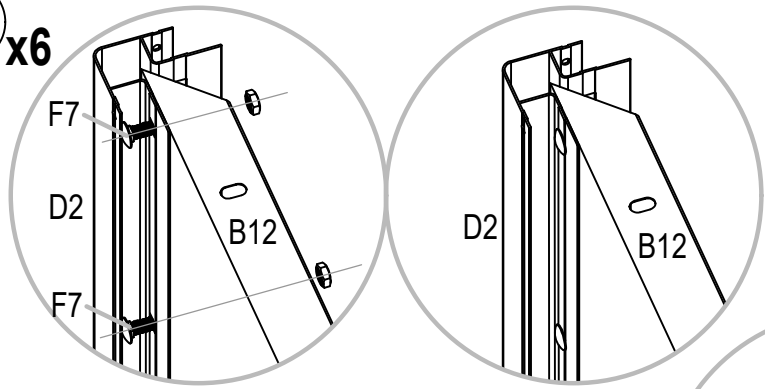
Make sure all holes are all in alignment and then fix B5 anchors onto B10 and D2 by F3 screws.

Repeat the step to complete anchor installation for other 3 corners.



Workbench Assembly

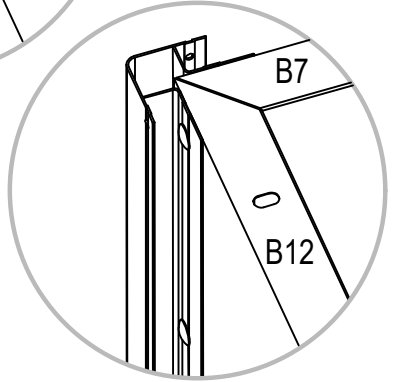
**I** x6



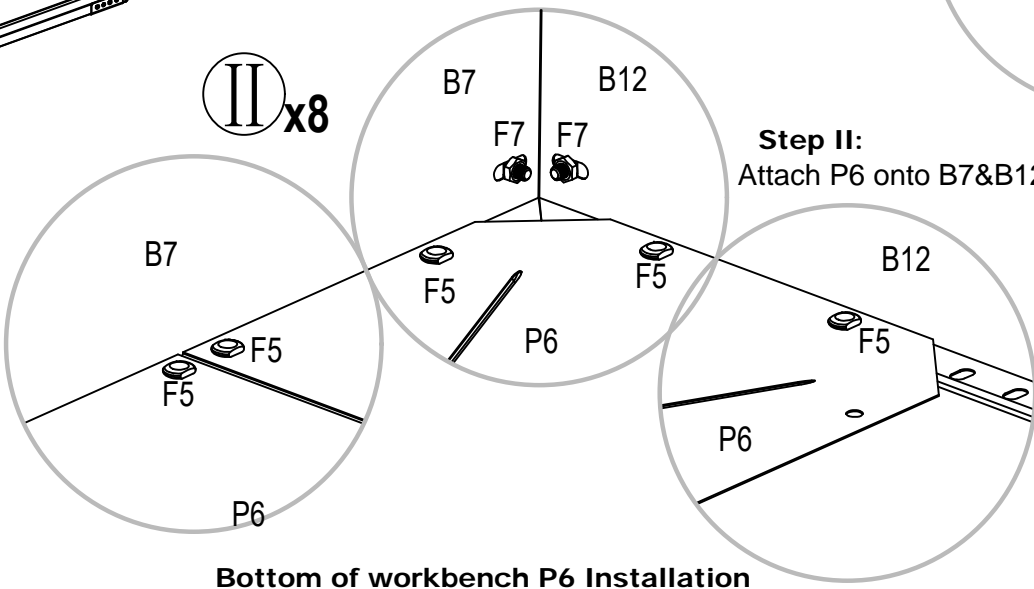
**Panels of platform B12 Installation**

**Step I:**

Align holes for D2 and B12.  
Attach D2 & B12 with 12 pieces F7 screws.



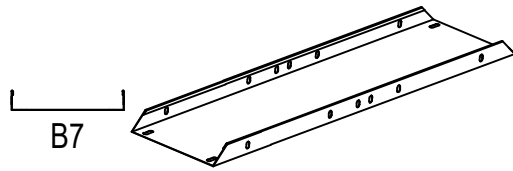
**II** x8



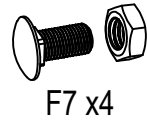
**Step II:**

Attach P6 onto B7&B12 with 8 pieces F5 screws.

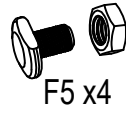
**Bottom of workbench P6 Installation**



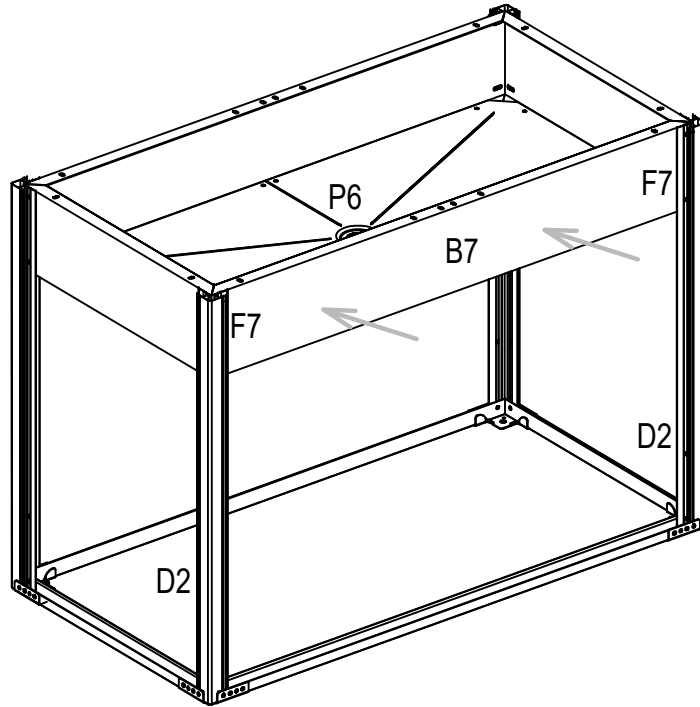
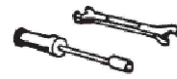
B7



F7 x4

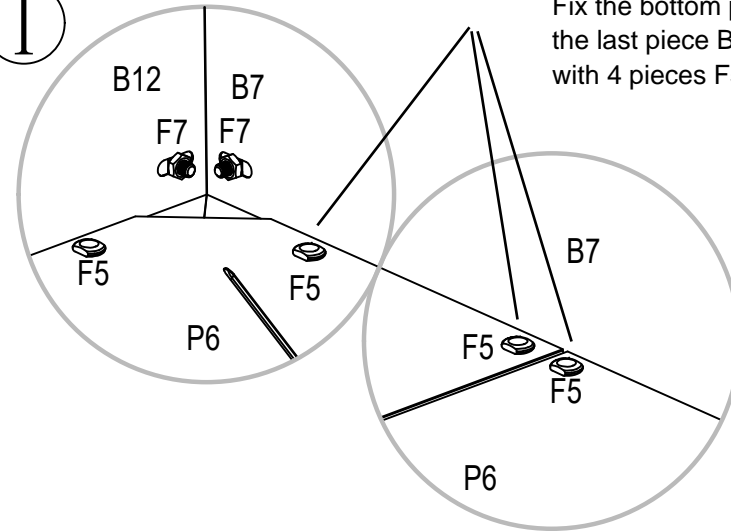


F5 x4



Workbench Assembly

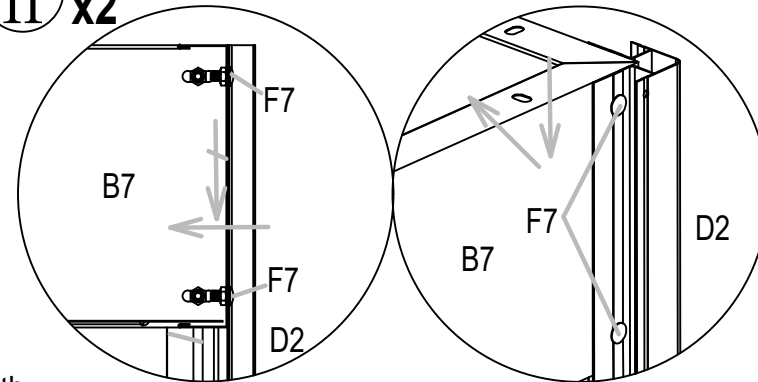
I



Step 1:

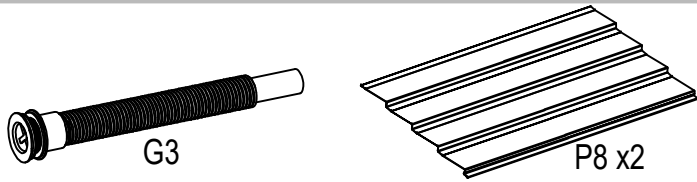
Fix the bottom panel P6 to the last piece B7 wall panel with 4 pieces F5 screws.

II x2

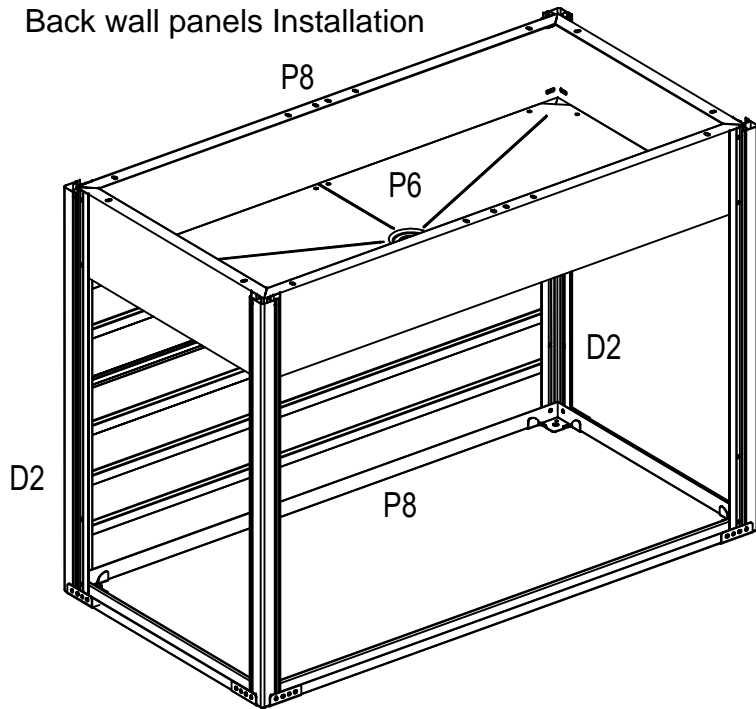


Step 2:

Install the last piece of wall panel B7 and the two frames D2 with 4 pcs F7 screws.

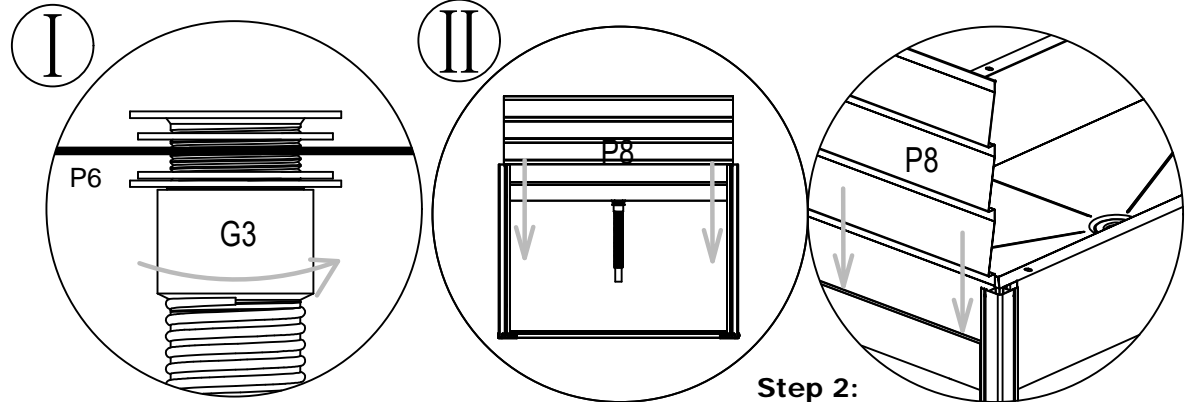


### Back wall panels Installation



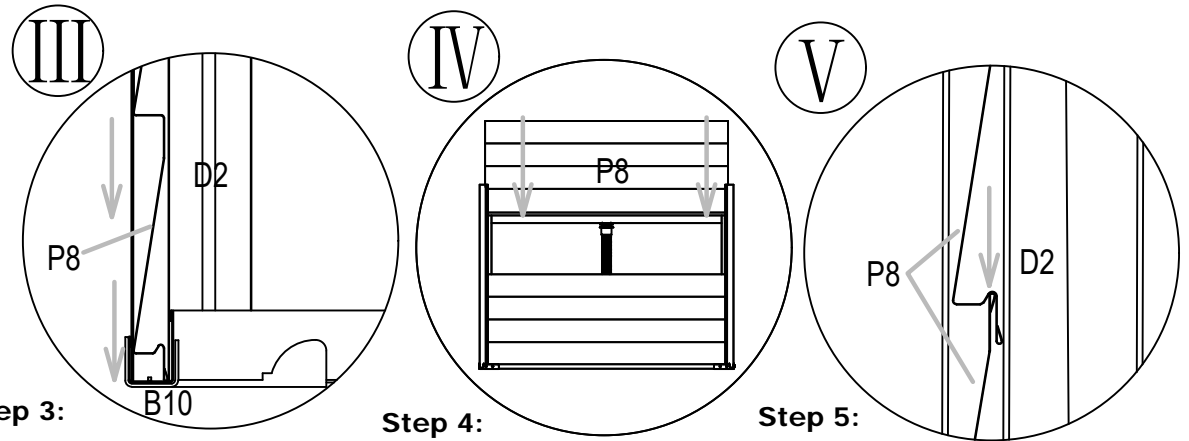
### Water Pipe G3 Installation

G3 water pipe kit is composed by 2 parts, including connecting head and pipe.



**Step 1:**  
Rotate and tighten the water pipe G3.

**Step 2:**  
Insert wall panels P8 into parts D2,  
2 pcs P8 panels for each wall.



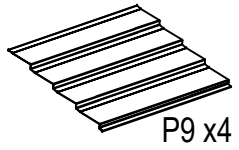
**Step 3:**  
Ensure the bottom edge of  
the first P8 panel inserted into  
base B10.

**Step 4:**  
Repeat the step 2 for other  
two walls.

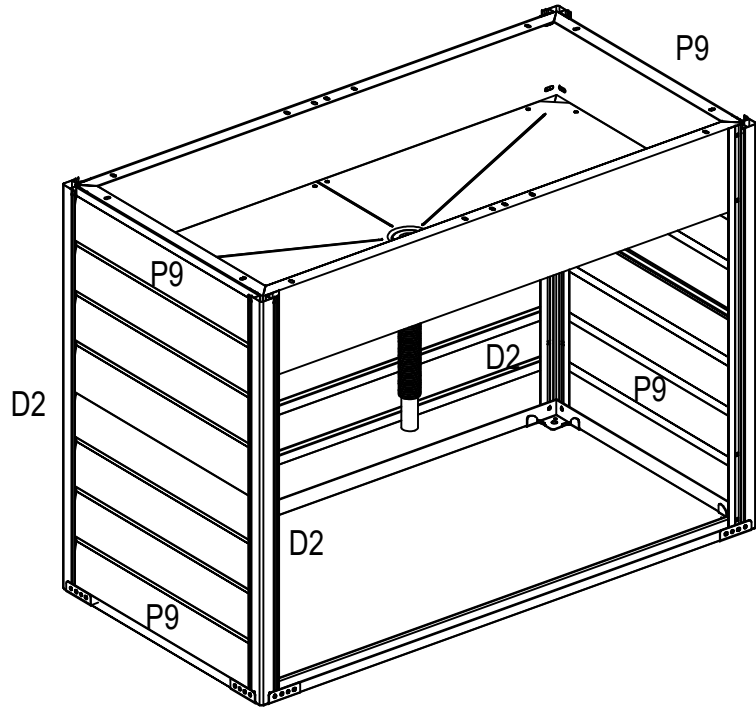
**Step 5:**  
Ensure the bottom edge of  
the second P8 panel is against  
the top edge of the first P8 panel.

How to install the water pipe kit?  
Step I: Insert the connecting head into the holes in the middle of P6;  
Step II: Attach the water pipe onto connecting head, then rotate and tighten it via the screw thread on connecting head.





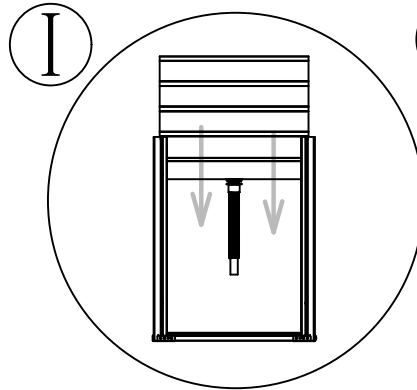
P9 x4



Side wall panels Installation

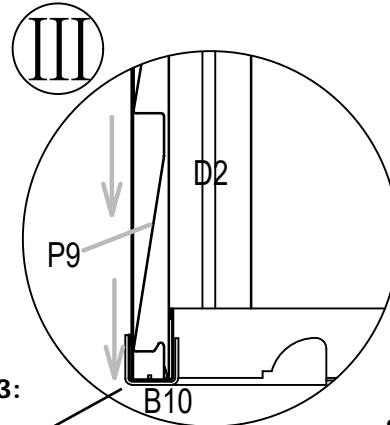
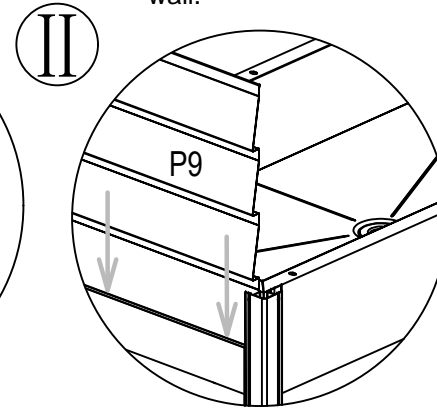
**Step 1:**

Insert the first piece side wall panel P9.



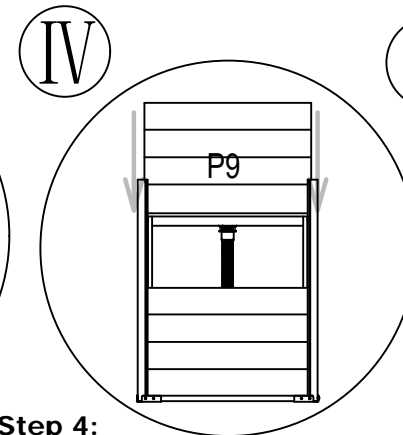
**Step 2:**

Insert the second piece wall panel P9 of same wall.



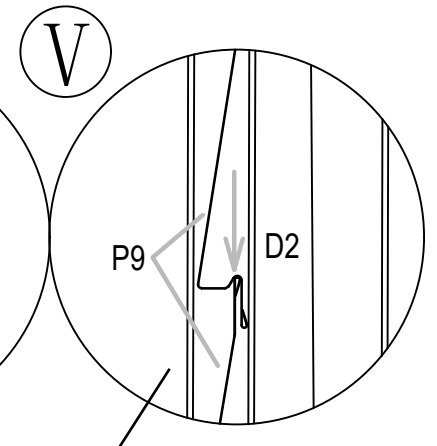
**Step 3:**

Ensure the bottom edge of the first P9 panel is inserted into base B10.

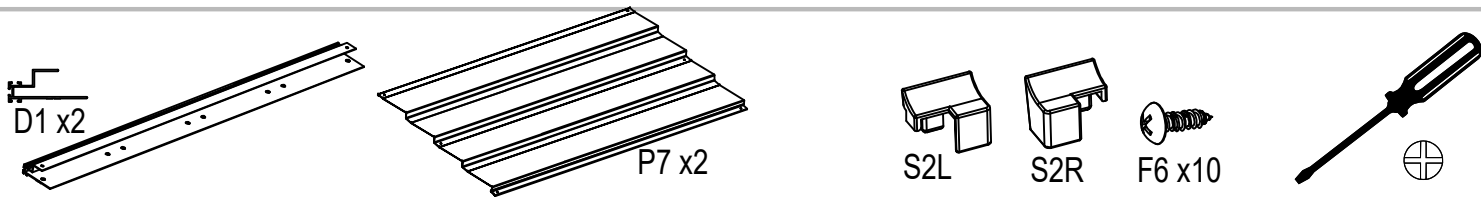


**Step 4:**

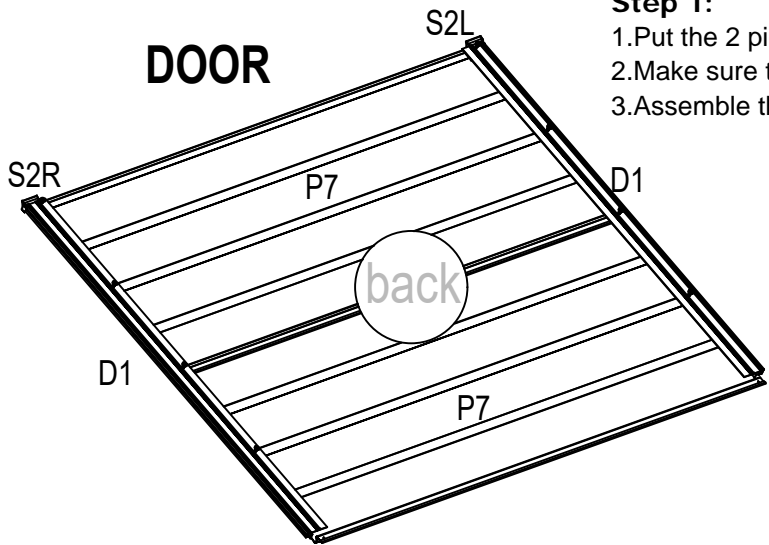
Insert the second piece side wall panel P9.



Ensure the bottom edge of the second P9 panel is against the top edge of the first P9 panel.

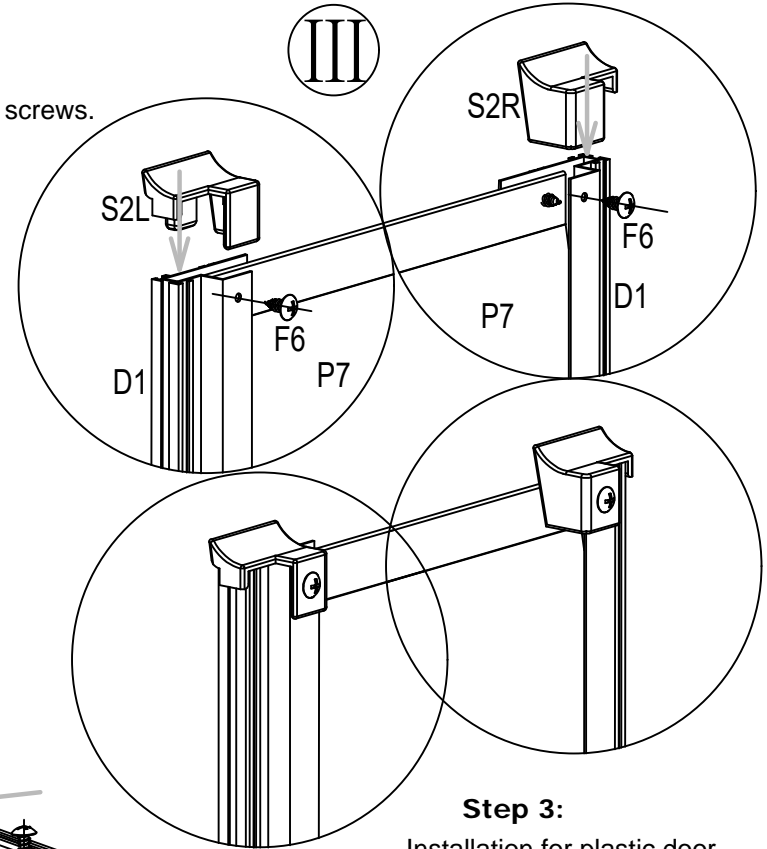
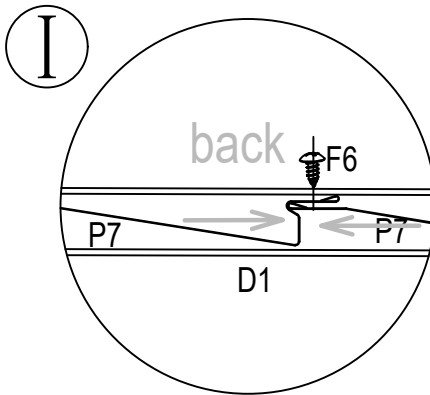


# DOOR



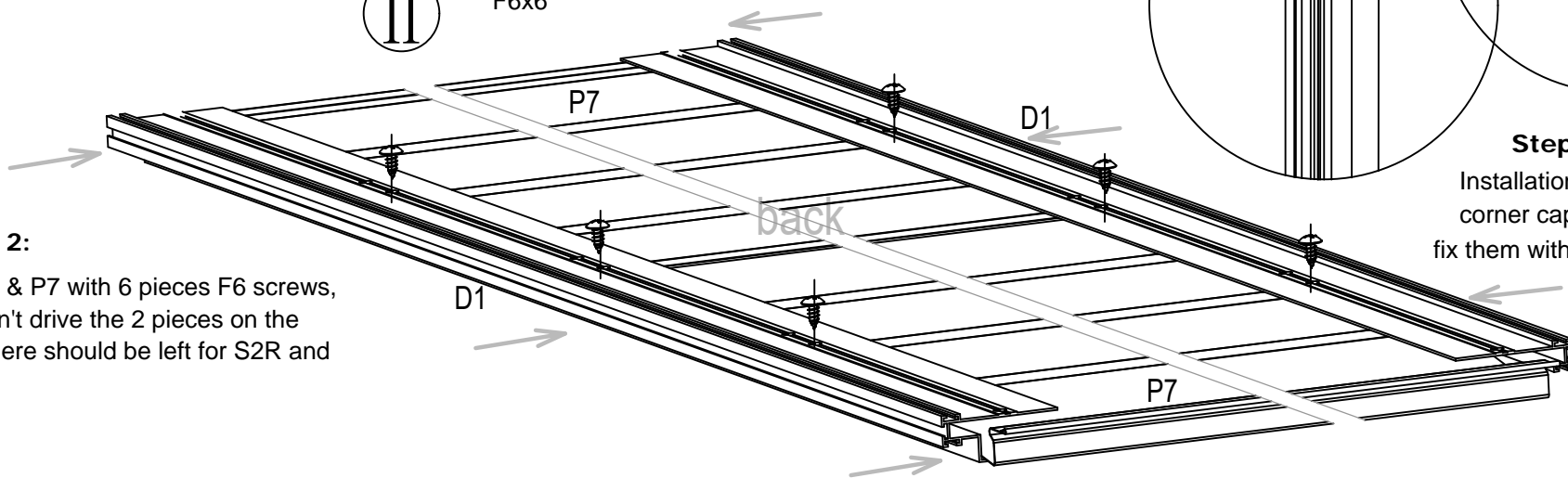
### Step 1:

1. Put the 2 pieces panels P7 together;
2. Make sure the two panels are against each other;
3. Assemble them together in the middle with 2 pieces F6 screws.



## Door Assembly

Edge frame D1 installation.  
F6x6

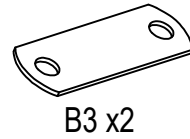
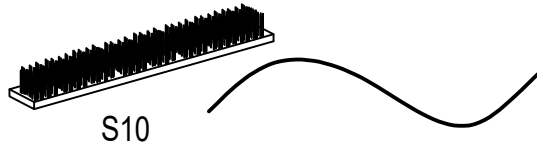


### Step 2:

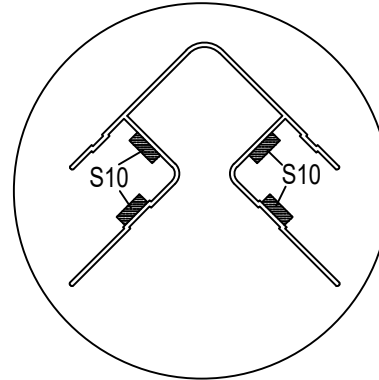
Fix D1 & P7 with 6 pieces F6 screws, but don't drive the 2 pieces on the top where should be left for S2R and S2L.

### Step 3:

Installation for plastic door corner caps S2R, S2L and fix them with 2 pieces F6 screws.

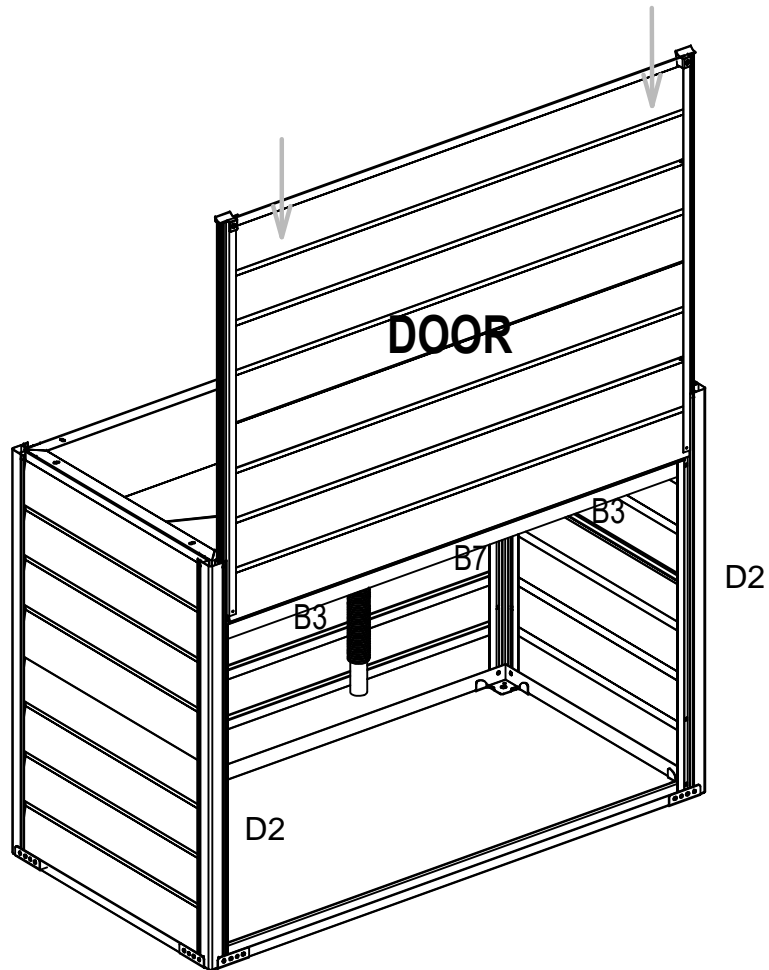


### Door sealer S10 Installation

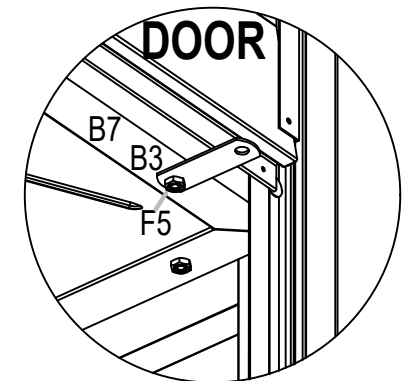
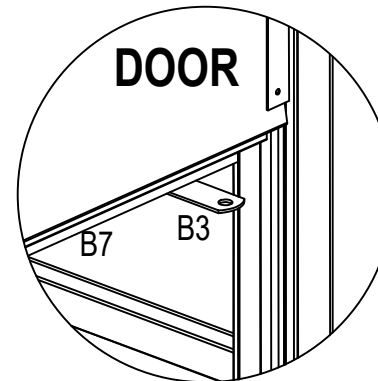


Planform of D2

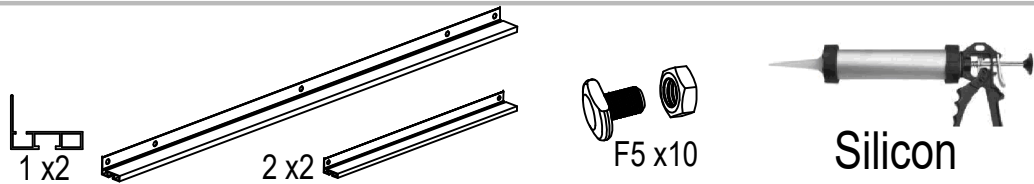
Cut the S10 adhesive stripe in 4 pieces, 33" long. Stick the 4 pieces on the inside surfaces of the 2 pieces front D2 according to figure I.



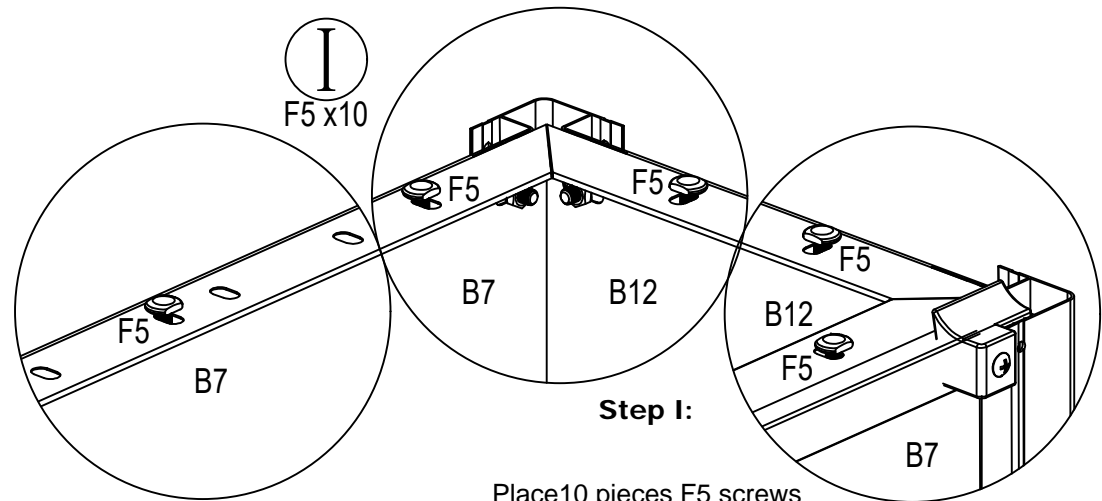
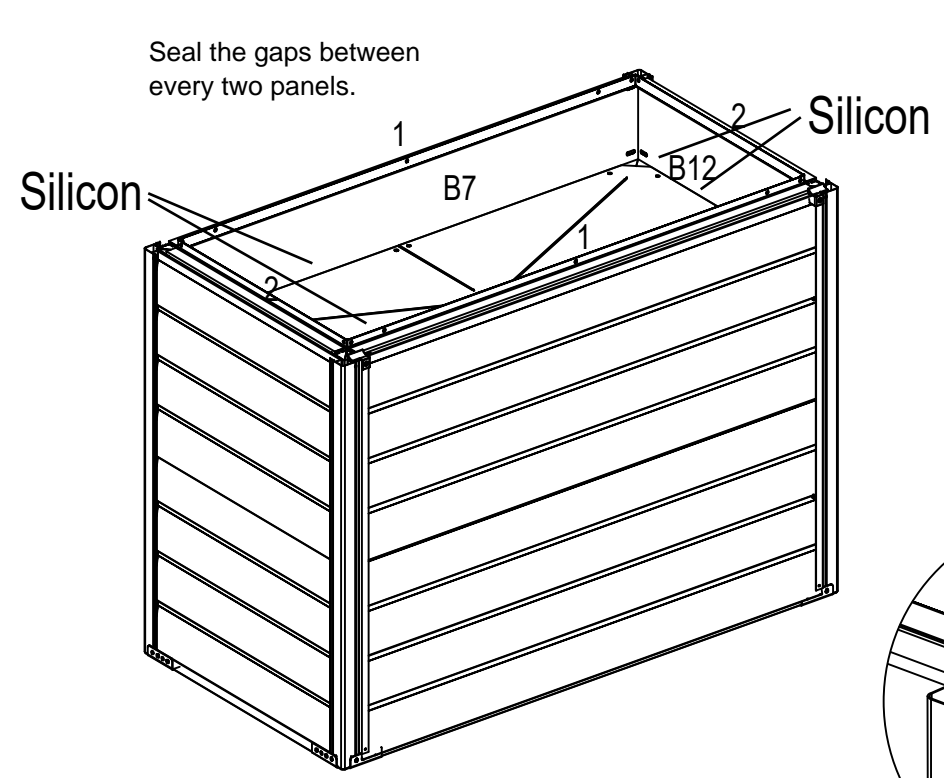
### Door Stopper B3 Installation



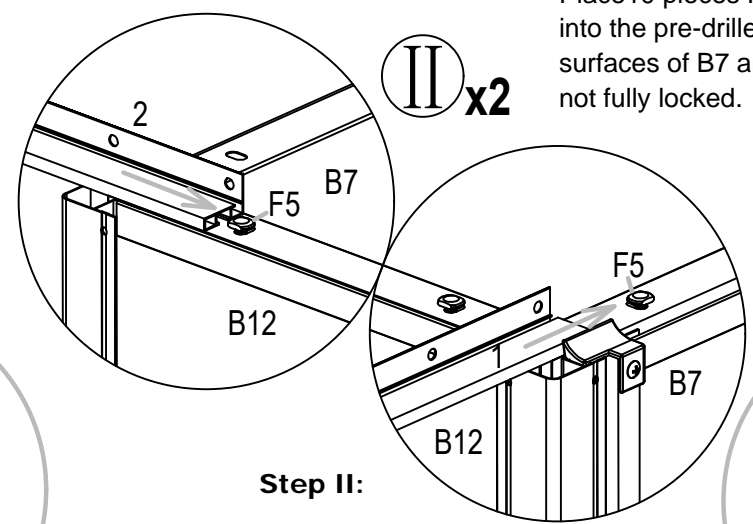
There are 2 holes on parts B3. Install B3 beneath the part B7 close to the door with 1 piece F5 screw. There are 2 pre-drilled holes on the bottom of part B7, 1 hole at each side.



Installation for base frame of greenhouse.

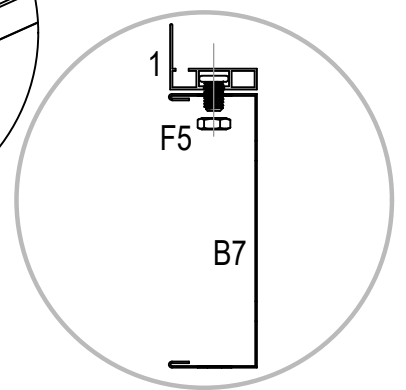
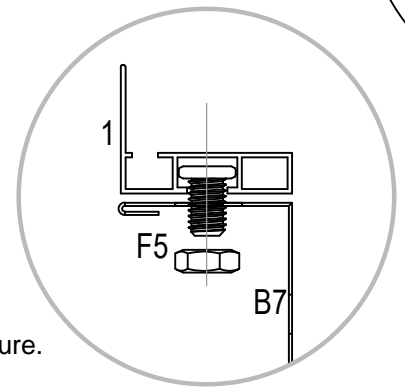


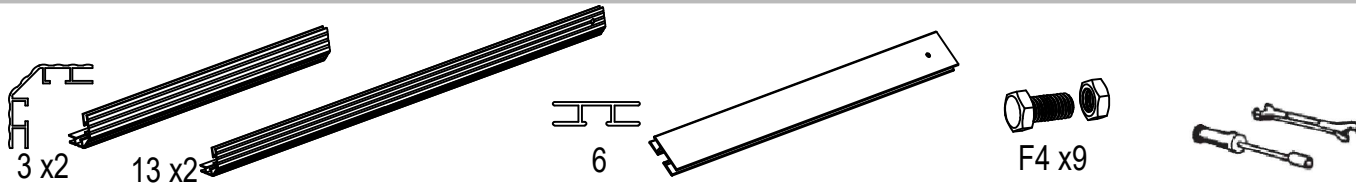
Place 10 pieces F5 screws into the pre-drilled holes on the upper surfaces of B7 and B12, then mount the nuts but not fully locked.



Install the 1# profile by pushing it above B7 and ensure the tail of F5 screws inserting into the groove of 1# profile.

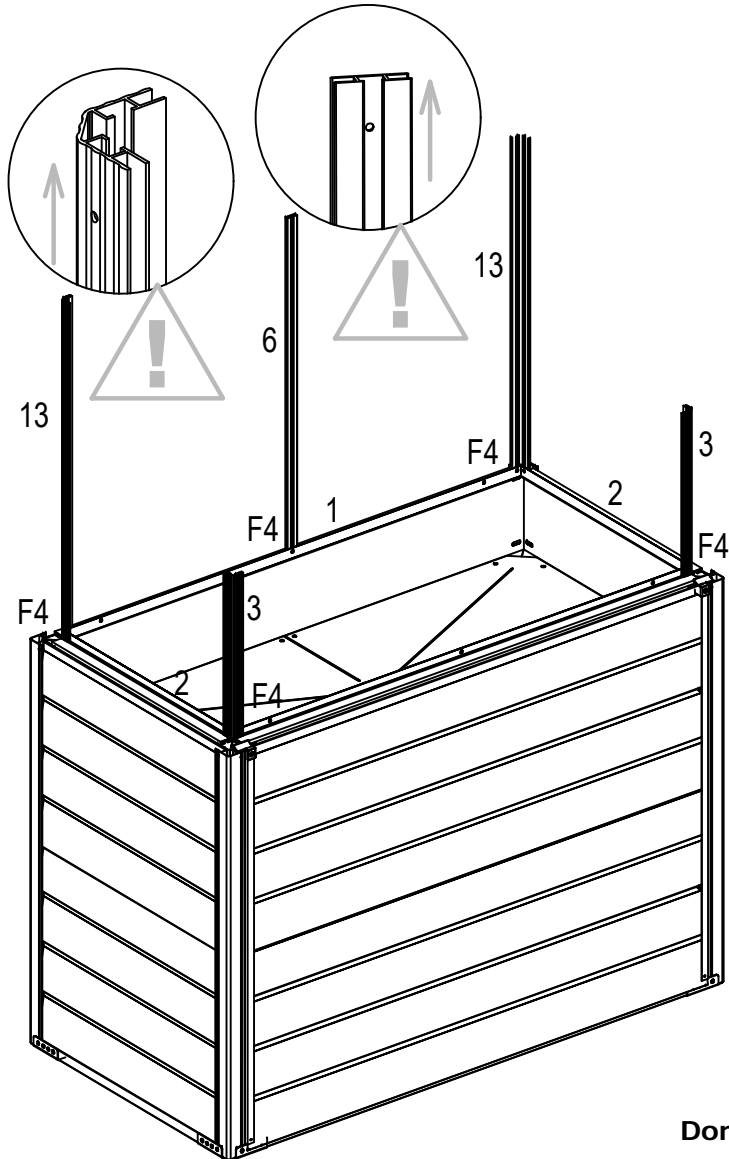
**Don't fully lock F5 screws**



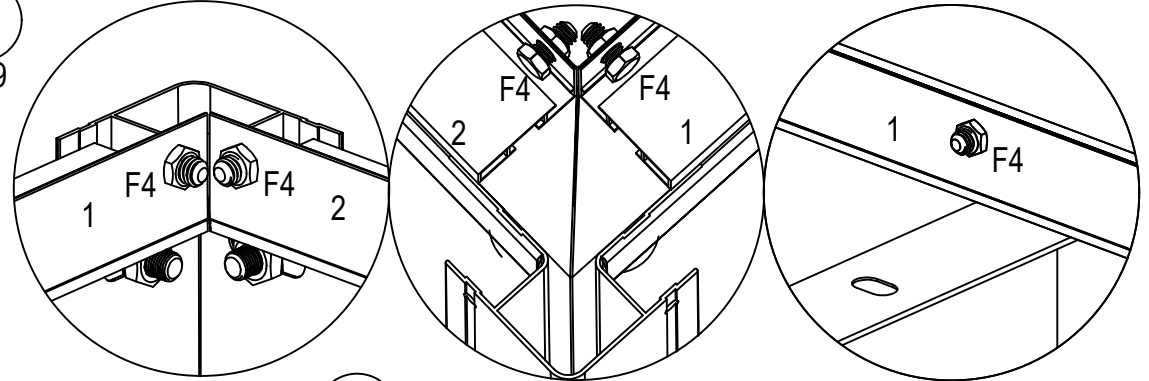


Installation for the frame of greenhouse

**Step I:** Place 9 pieces F4 screws into the pre-drilled holes on 1# profiles but don't fully tighten them.

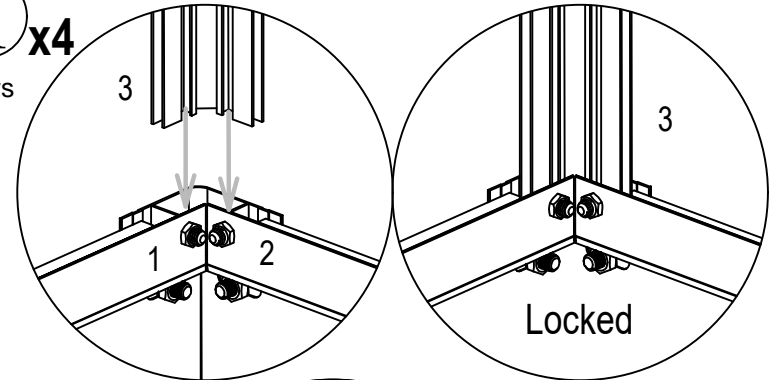


**I**  
F4 x9



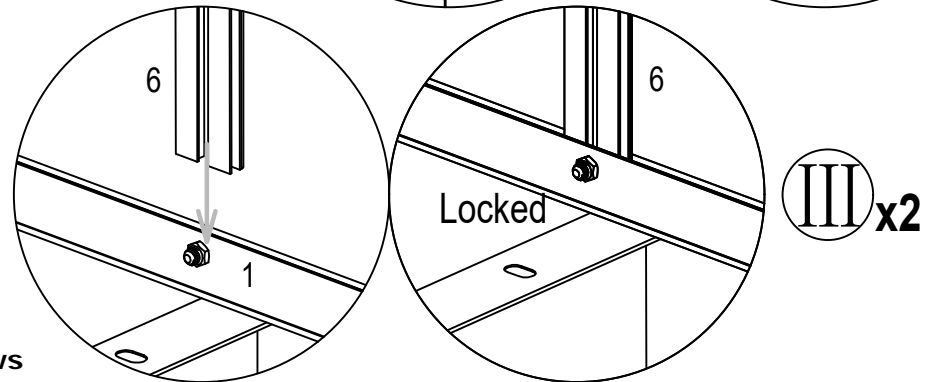
**II** x4

**Step II:** Inserting the tail of F4 screws into the frame profiles 3# of mini greenhouse.



**Step III:**

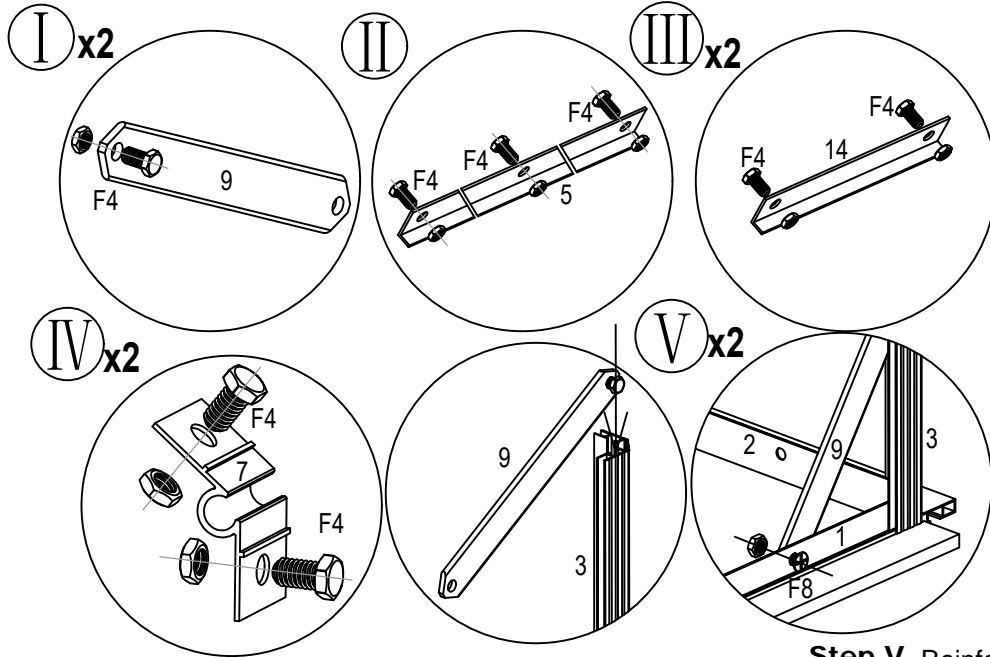
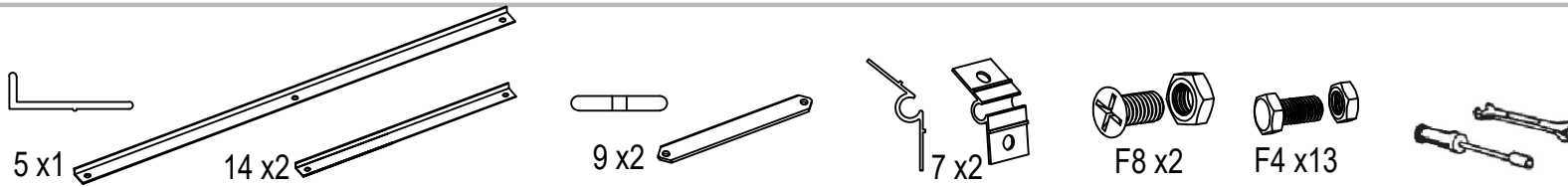
Inserting the tail of F4 screws into the long frame profiles 6# of mini greenhouse.



**III** x2

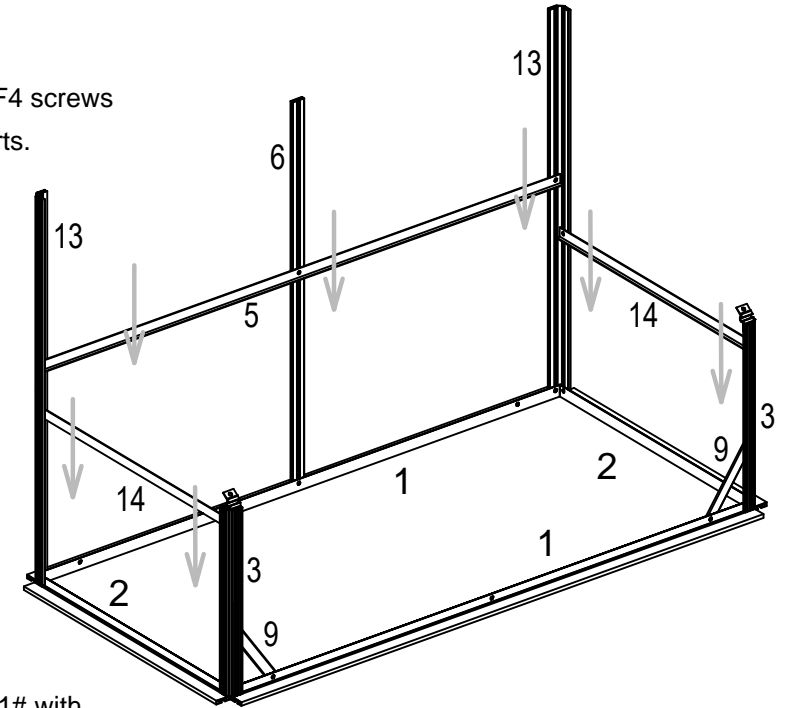


Don't lock F4 screws



**Step I,II,III,IV**

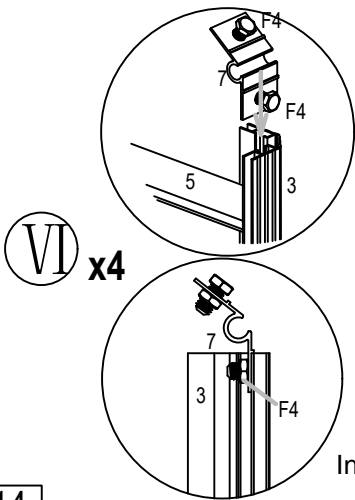
Pre-place 13 pieces F4 screws into 7#,9# and 5# parts.



Installation for the beam of greenhouse

**Step V** Reinforcing rib 9# installation

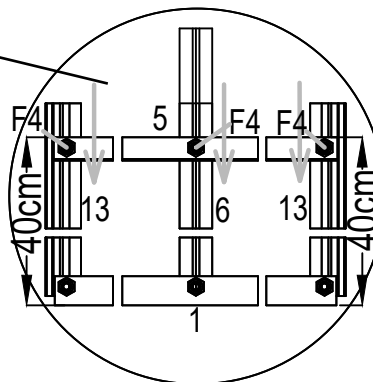
Fix the other end of part 9# on to part 1# with F8 screw. 2 pieces F8 screws needed totally.



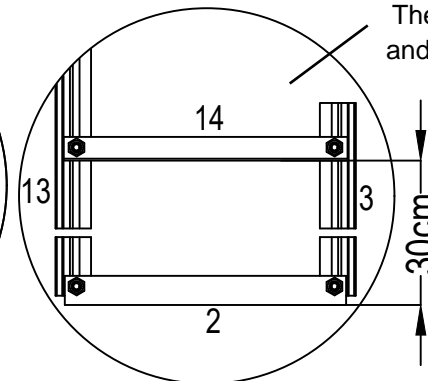
**Step VI**

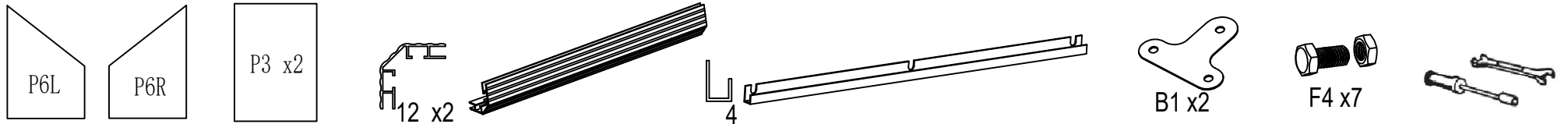
Install part 7# and part 3# together.

The distance between part 1# and part 5# must be 40cm/15.7".  
Part 5# must be installed inside of part 6#.

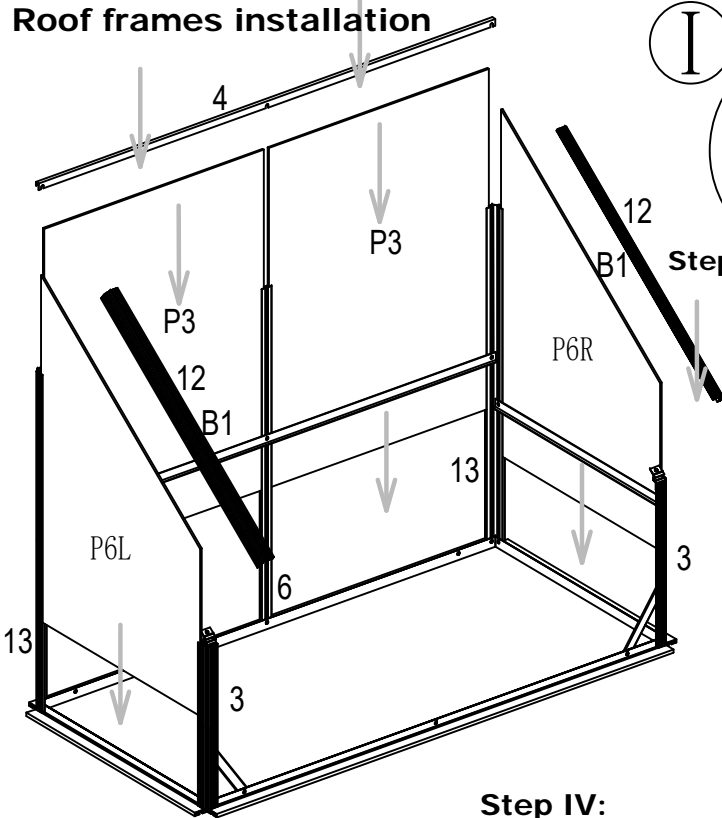


The distance between part 2# and part 14# must be 30cm/11.8".

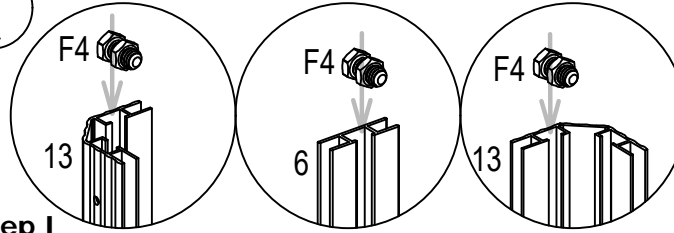




**Roof frames installation**



**I**

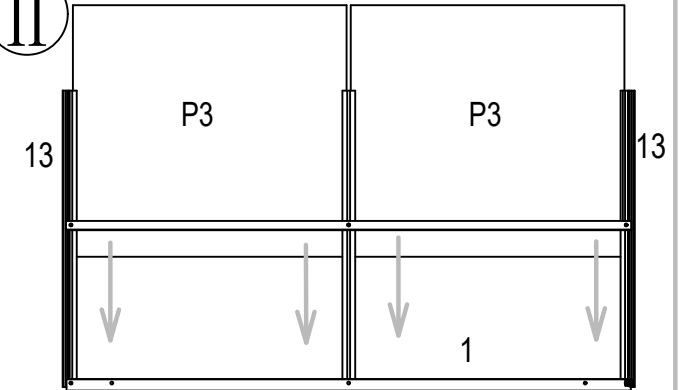


**Step I**

Pre-place 1 piece F4 screw into each 13# and 6# part.

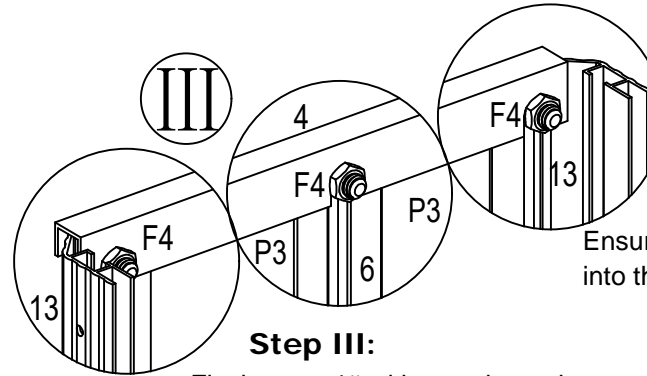
**II**

**Step II PC Panels for back wall**



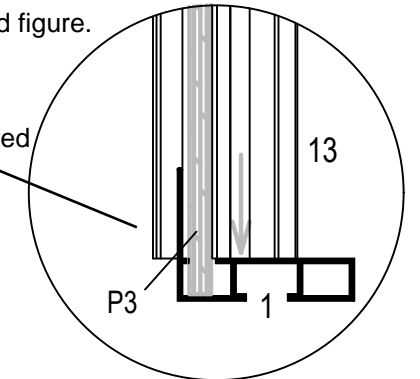
Amplifying detailed figure.

**III**



**Step III:**

Fix the part 4# with pre-placed F4 screws at the first step.

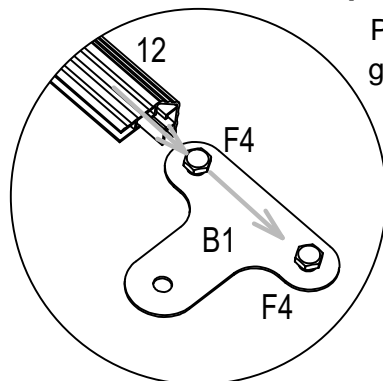


Ensure the panels P3 inserted into the groove of part 13.

**Step IV:**

Pre-place part B1 into the groove of profile 12#.

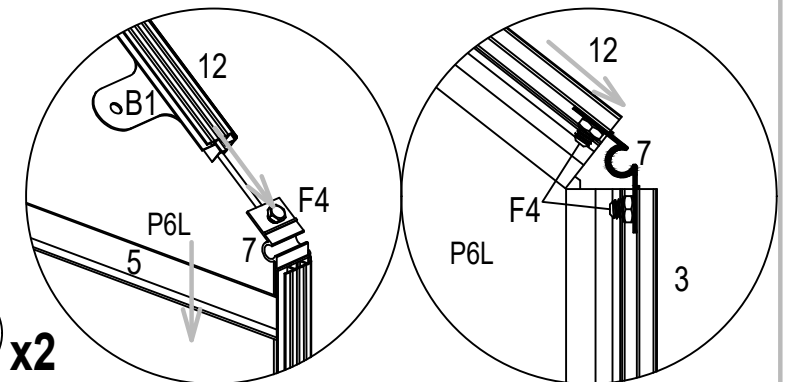
**IV** x2

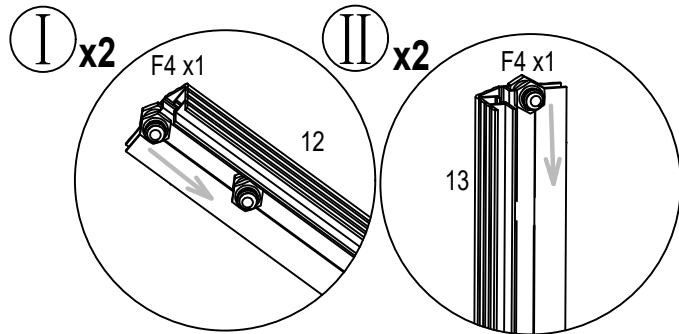
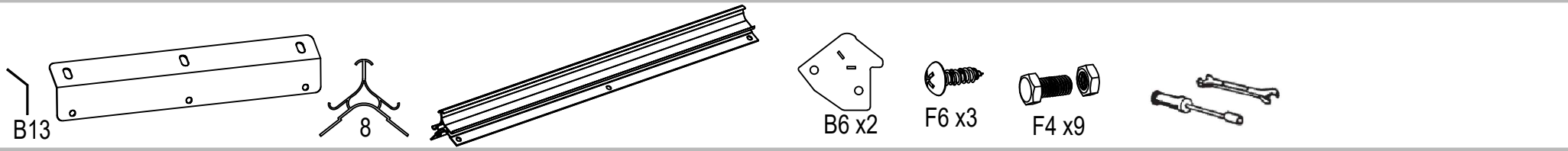


**Step V:**

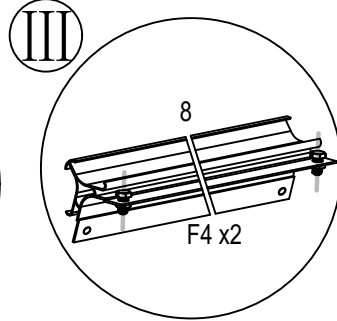
Assemble roof profiles 12# to connectors 7#.

**V** x2

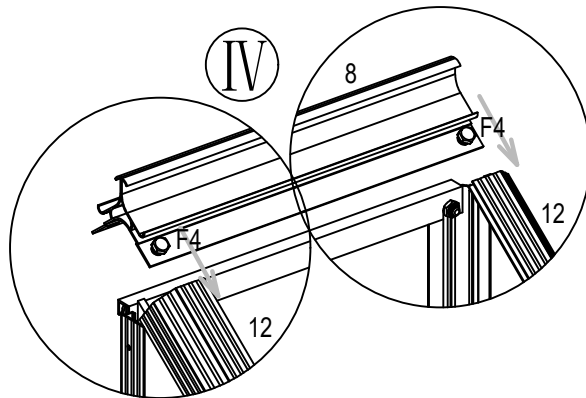
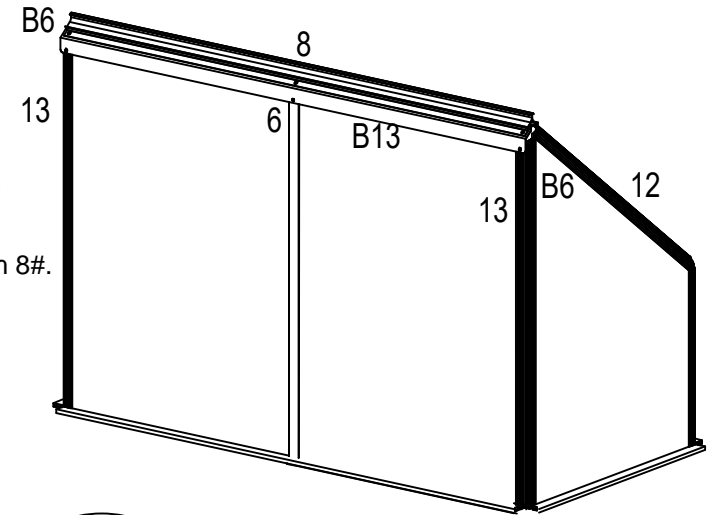




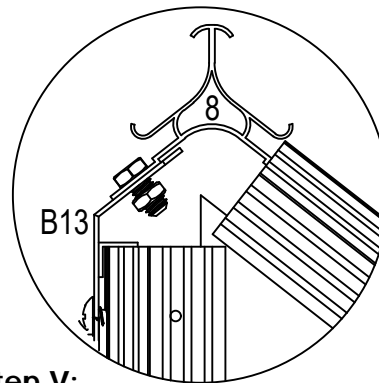
**Step I,II:** Pre-place 2 pieces F4 screws in each of profile 12.  
Pre-pace 1 pieces F4 screws in each of profile 13.



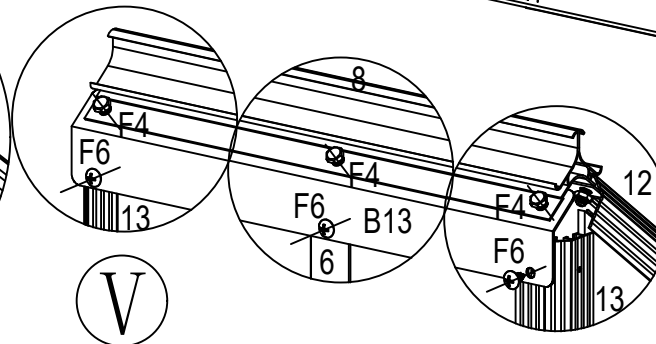
**Step III:** Pre-embedding 2 pieces F4 screws in the holes at each end of roof beam 8#.



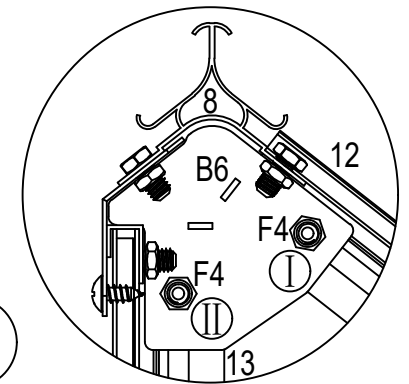
**Step IV:** Inserting the roof beam 8# into frame profiles 12 and fix both with 2 pieces F4 screws pre-placed in profile 12#.



**Step V:** Fix the other side edge of part 8# to part B13 with 1 piece F4 screw at each end.

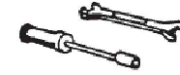
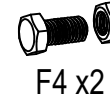
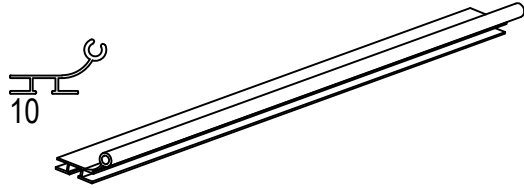


**Step VI:** Moving the pre-placed F4 screws into the pre-punched holes of end cover B6 and lock the screws.

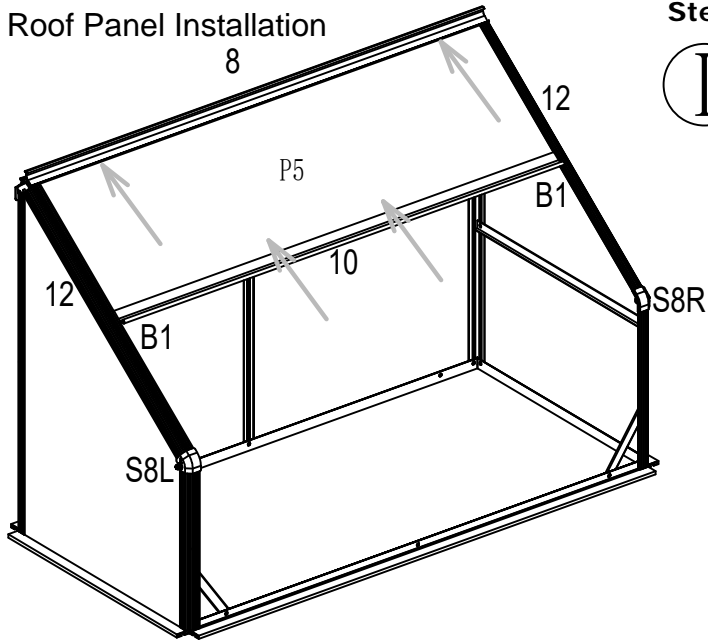




P5

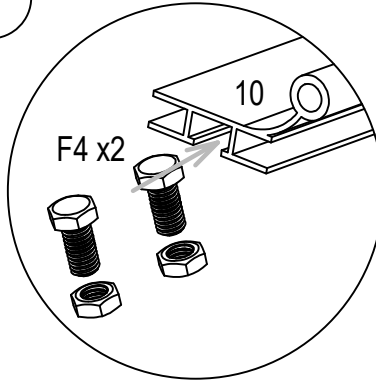


### Roof Panel Installation



**Step I:** Pre-place 2x F4 screws into the profile 10#.

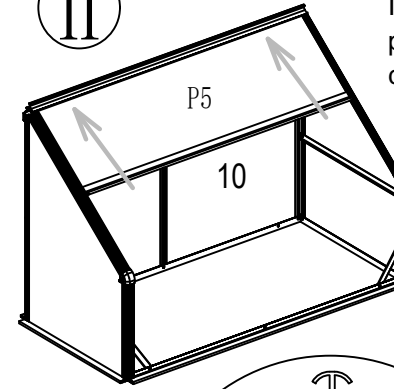
I



**Step II:**

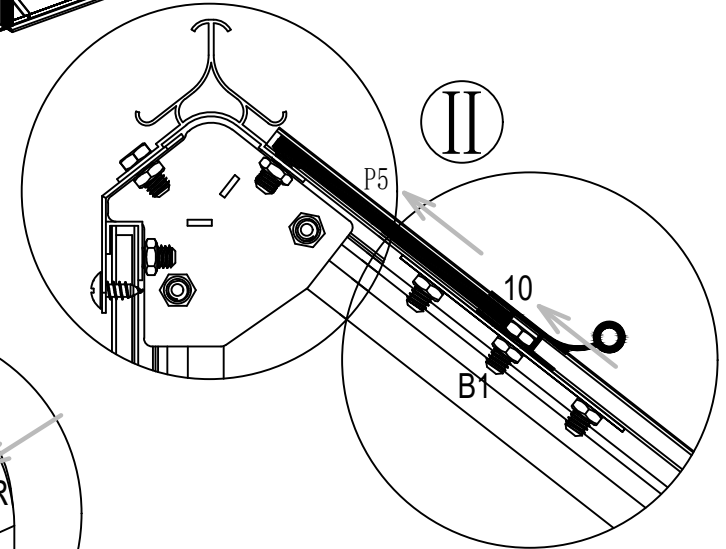
II

Inserting P5 PC panel into frame profiles 12 and cover the end edge with connecting profile 10.

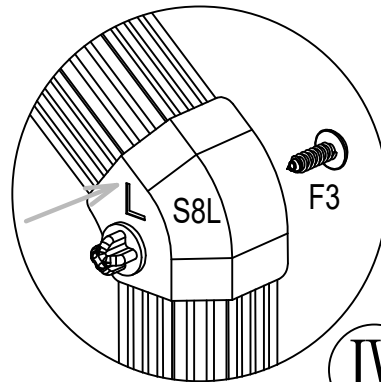
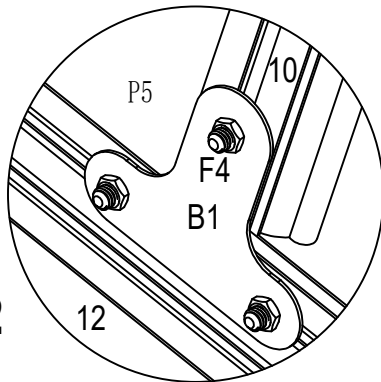


Assemble profile 10 on Part B1 and lock them.

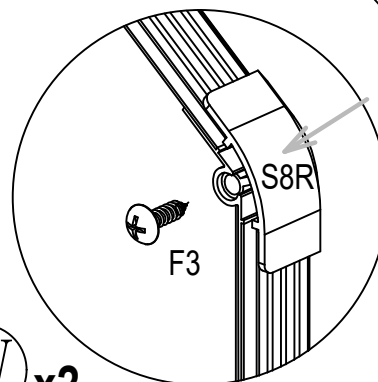
Install corner caps S8L & S8R.

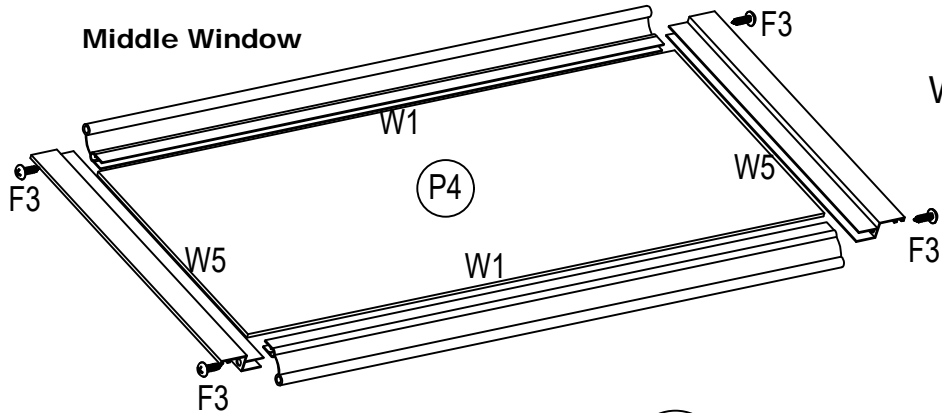
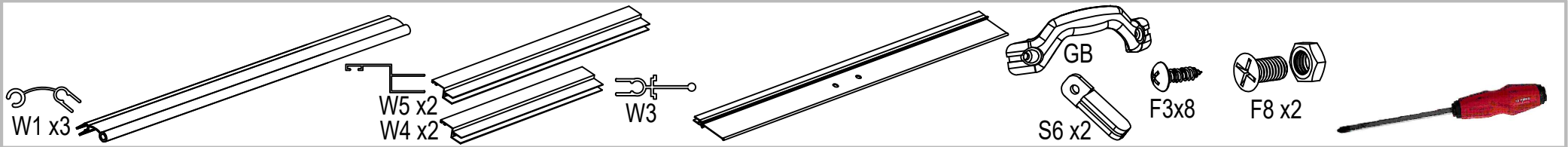


III x2

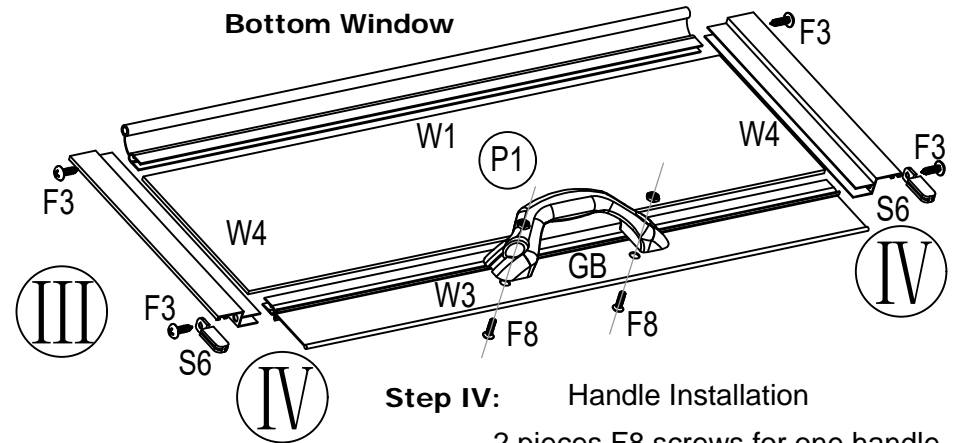


IV x2





Window



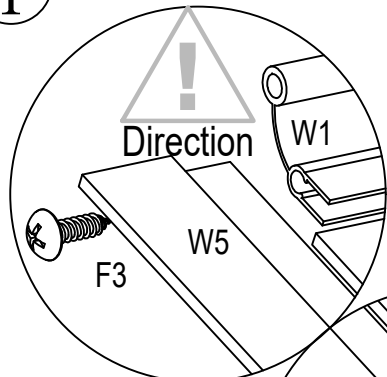
**Step IV: Handle Installation**  
2 pieces F8 screws for one handle.

I

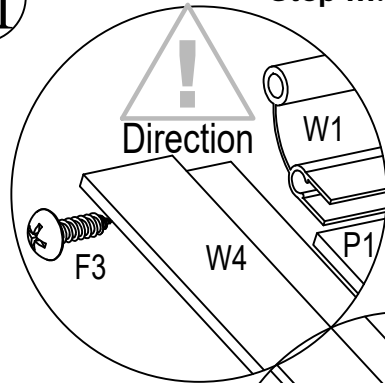
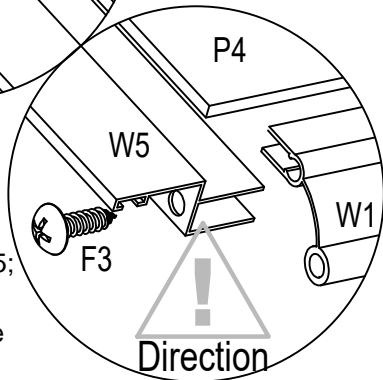
III

**Step III:**

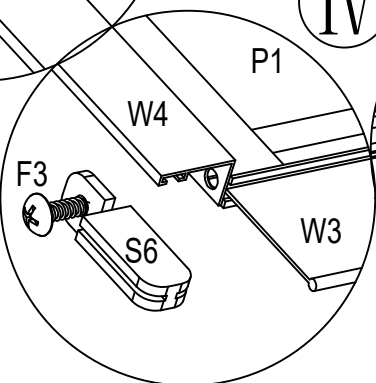
1. Note the direction of W4;
2. Note the parts P4 & W1 are involved in the groove of W4.



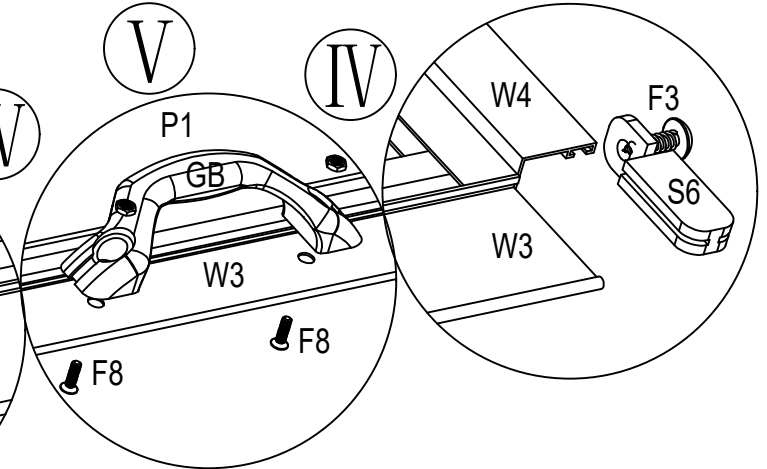
II



IV



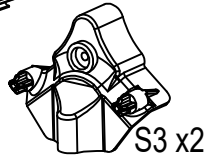
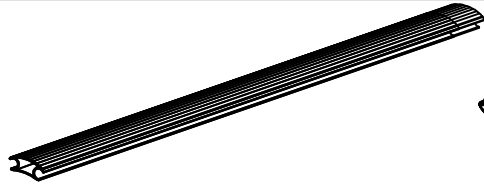
V



**Step II:**

1. Note the direction of W5;
2. Note the parts P4 & W1 are involved in the groove of W5.

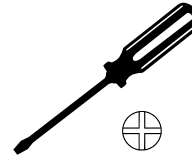
11 x2



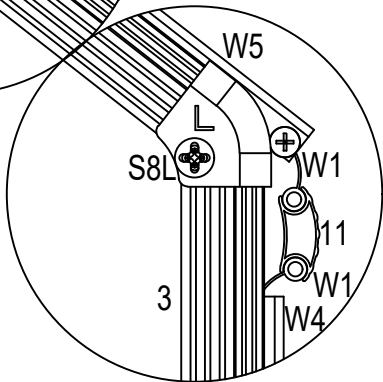
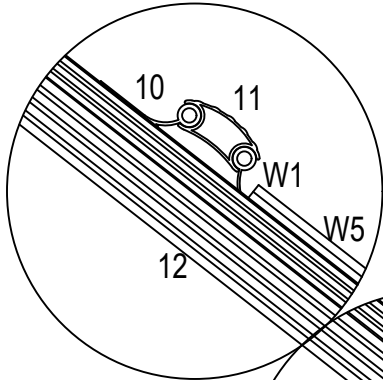
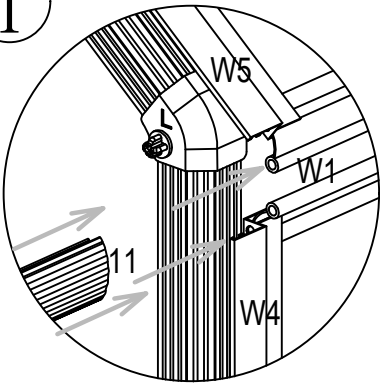
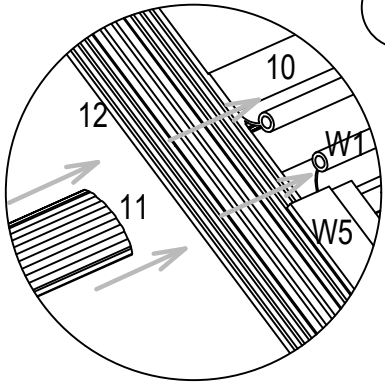
S3 x2



F3x2

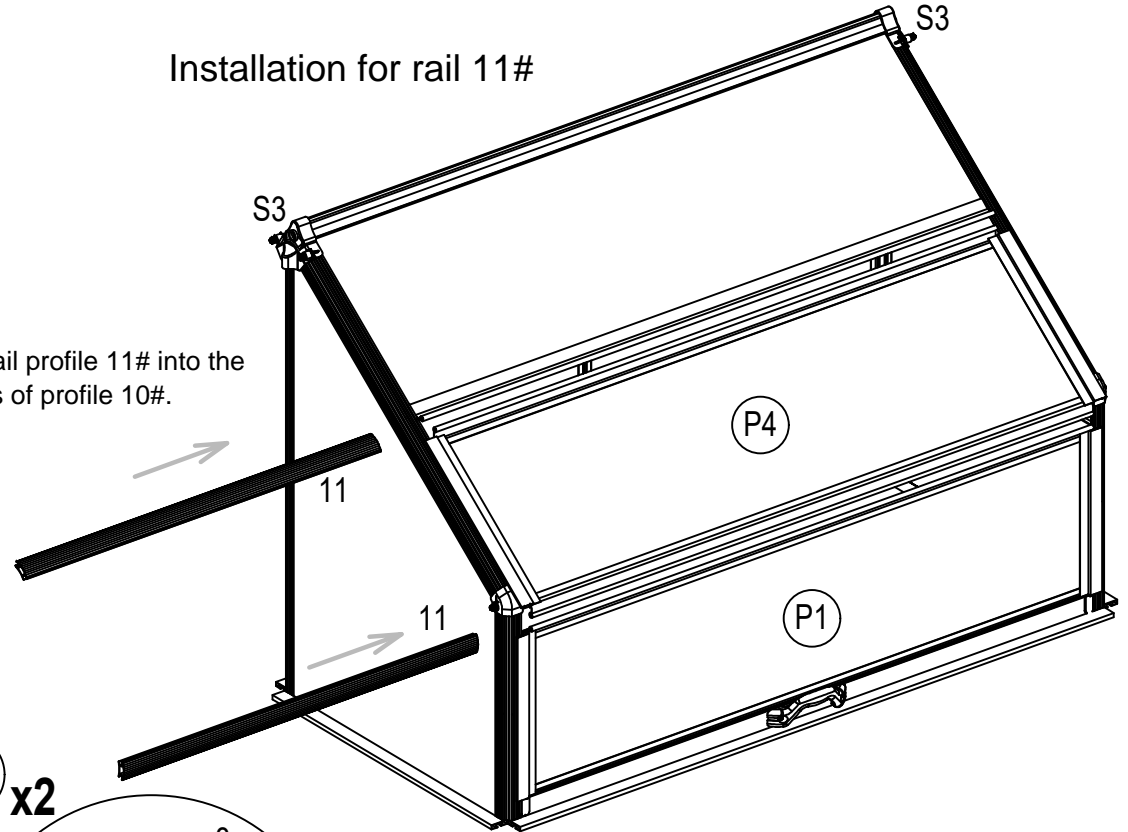


I

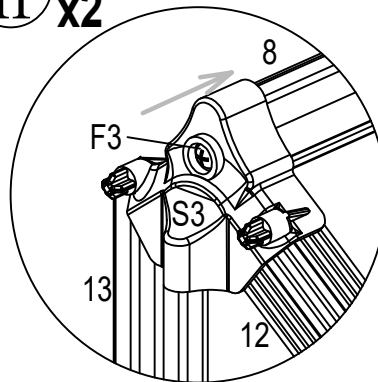


Installation for rail 11#

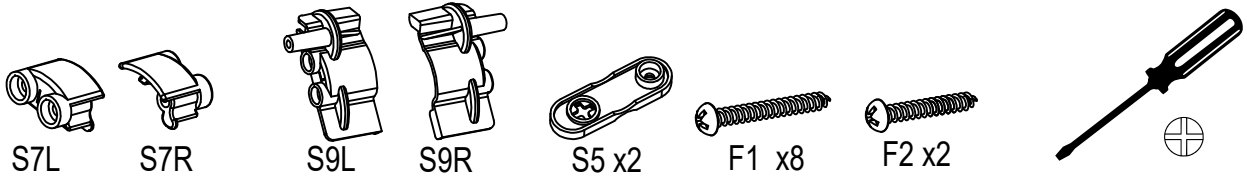
Insert rail profile 11# into the grooves of profile 10#.



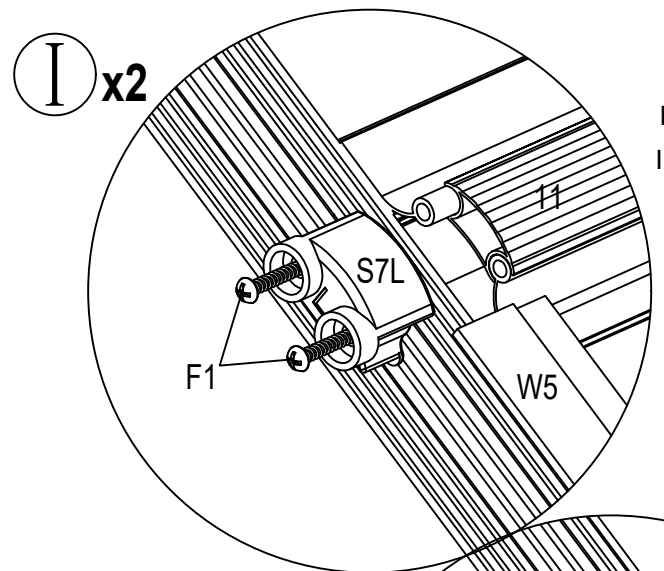
II x2



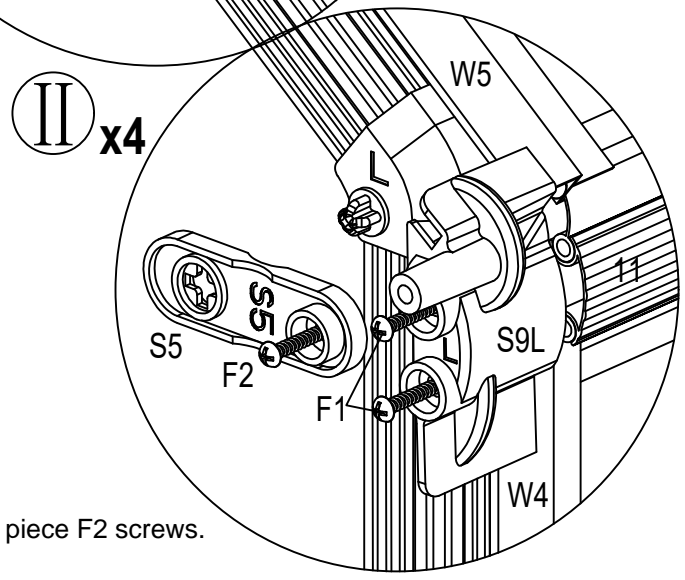
Roof corner plastic caps S3 installation.



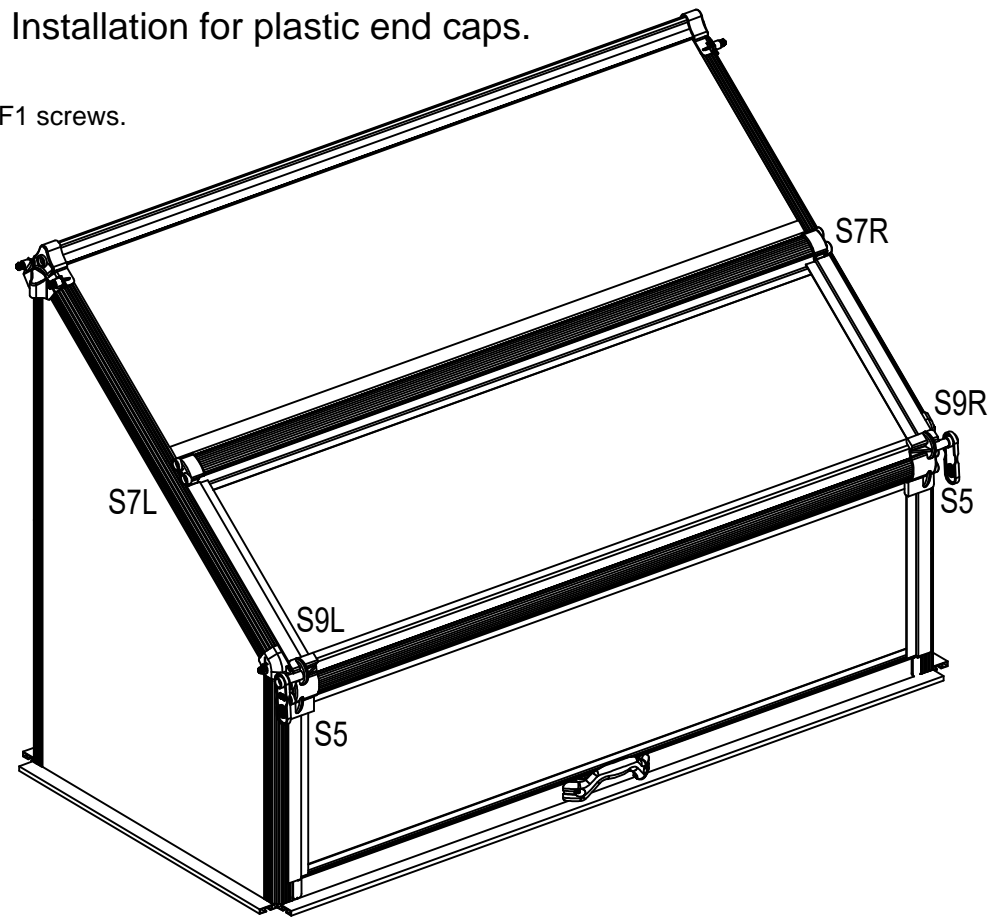
Installation for plastic end caps.



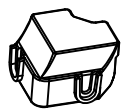
Install S7L with 2 pieces F1 screws.  
Install S7R in same way.



Install S5 onto S9 with 1 piece F2 screws.



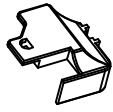
Install S9L with 2 pieces F1 screws.  
Install S9R in same way.



S1 x2



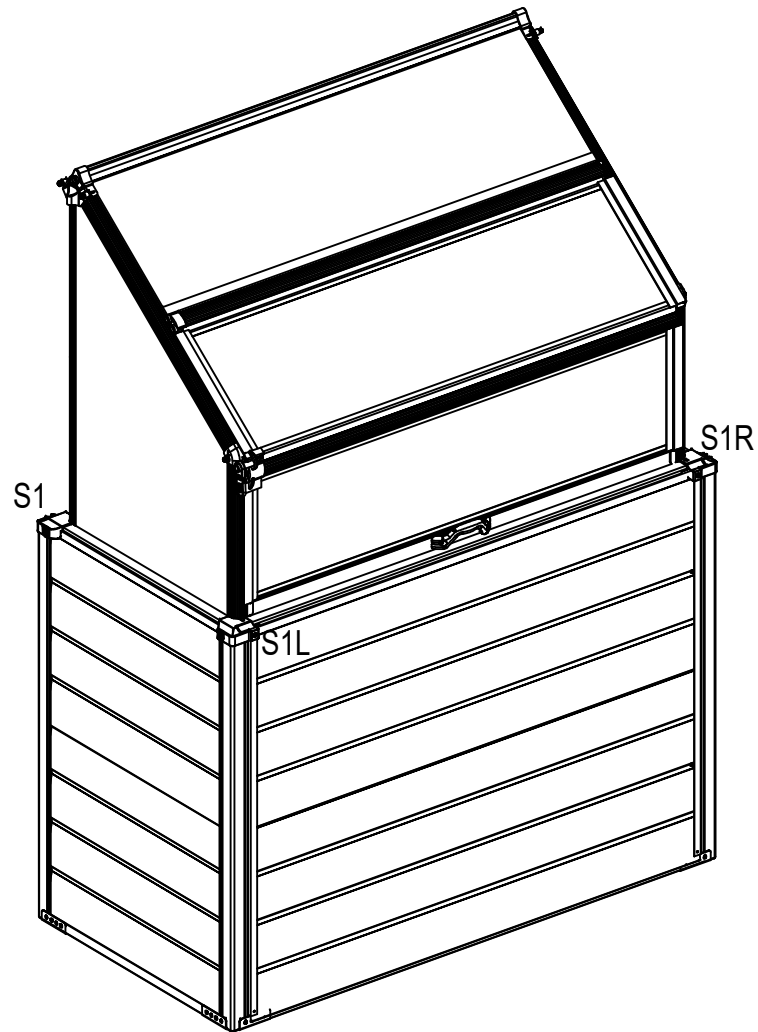
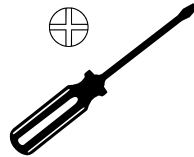
S1L



S1R

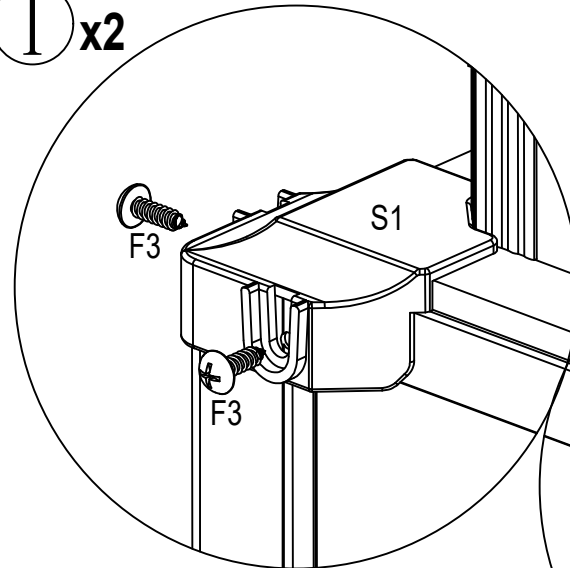


F3x6

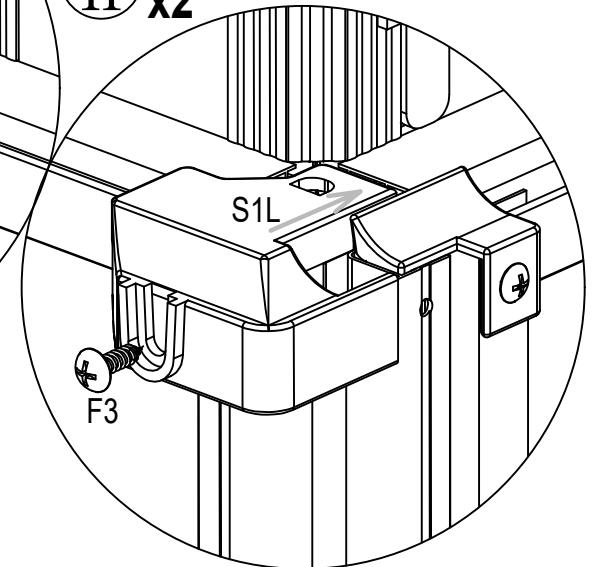


**Plastic corner caps S1,S1L and S1R installation**

**I** x2



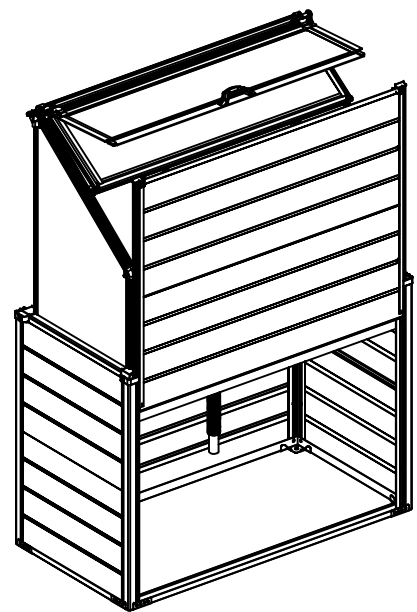
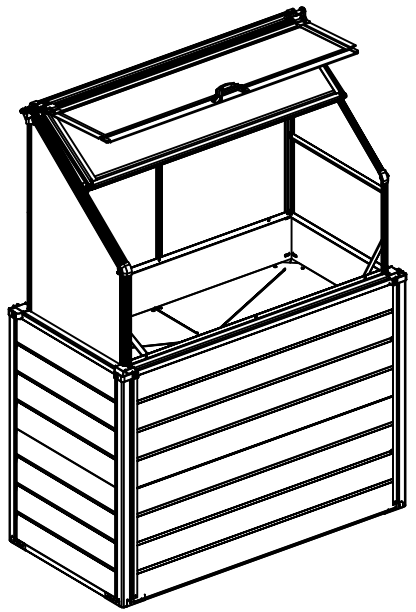
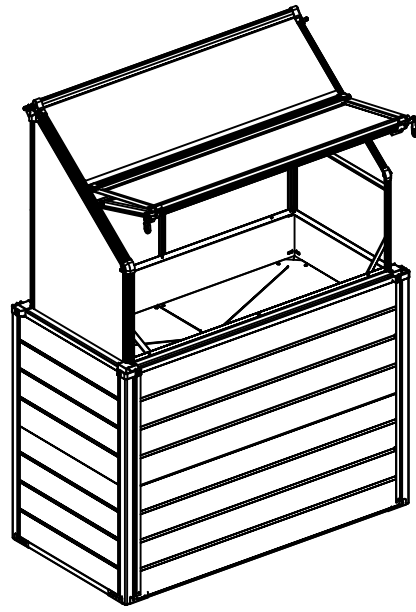
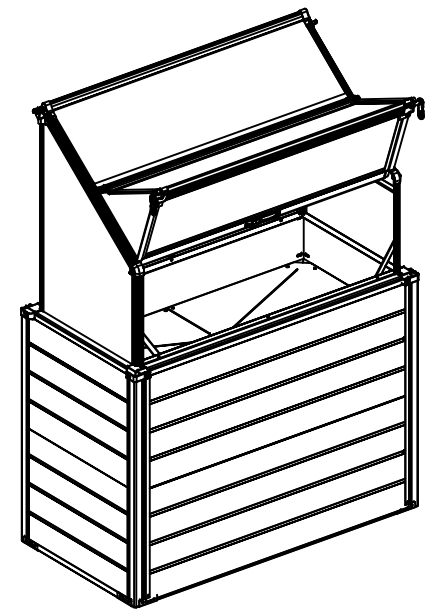
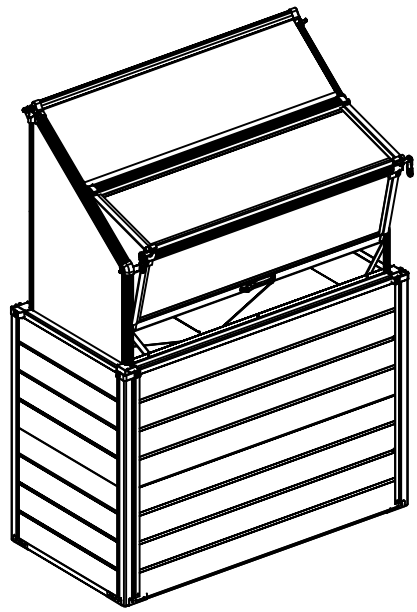
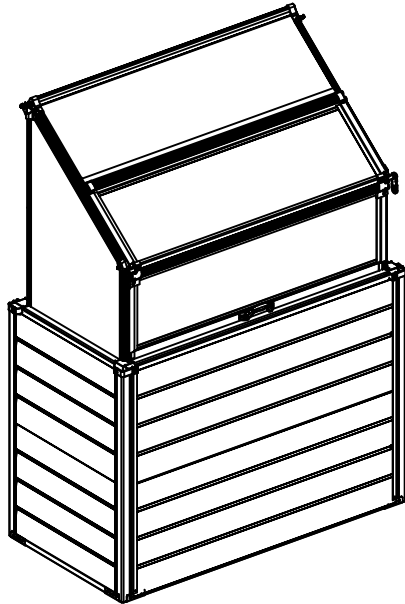
**II** x2



**Lock all F4,F5,F6,F8 Screws.**

**Congratulation! You did it!**

# Display how to open and close the window and door



## **Maintenance:**

1. Please prevent adding any increased weight to the product.

## **PC Panel Maintenance:**

1. Be careful not to have a sharp object touch the film as it may scratch.
2. Clean films regularly to keep the light transmittance as clear as possible.
3. The boards/panels have flame retardant polycarbonate material applied to them and is recommended to keep away from fire to avoid softening or deformation.

## **Frame Maintenance:**

1. The frames are made of aluminum alloy structure. If white spots or dirt is shown, please wipe with a wet cloth. White spots are normal in a wet/warm environment.

## **Weather Protection:**

1. **WARNING:** If there is lightning, do not stay in or under the product. The frames is conductive, and may cause serious damage.
2. When wind power reaches 40mph or above, you may need to set up defense equipment and fix the greenhouse wall.
3. During snowy months, please remove any snow from greenhouse to avoid any walls or roofs from collapsing.

# Outdoor Products

## 1-Year Limited Warranty Program

For a period of one (1) year after purchase, Hanover (“Manufacturer”) will either repair or replace defective components in accordance with this Limited Warranty. This warranty is between Manufacturer and the original purchaser and is valid only when accompanied by the original purchaser’s sales receipt showing original date of purchase and location of purchase. Replacements under this warranty revert back to the date of original purchase for future warranty.

Manufacturer or its authorized dealer can accept or reject warranty claims based on its findings. This warranty applies in normal residential use only and is not intended for commercial use. Manufacturer can make substitutions as required of materials, components, and sub-components of comparable value and utility. This warranty is limited to product repair or replacement (to be determined solely by Manufacturer). Warranty return is limited to only the single affected component.

This warranty covers only manufacturing defects and does not cover normal wear and tear, damage due to acts of nature, abuse or misuse, including chemical damage from suntan oil or other chemicals, exposure to extreme heat or cold, abrasion or excessive weight. This product is intended to be used in standard installations only. This warranty is invalid if the product is not used for intended purpose. Manufacturer disclaims liability for any aspect of installation and any inconvenience caused by a defective part of a component.

Certain items are not covered by this warranty. These include, but are not limited to the following:

1. Items subjected to abuse, including abuse intended to simulate failure.
2. Any part which merely exhibits normal wear yet functions essentially as new, including tears/rips, chips, scratches or stretching of materials and stitching.
3. Tears, rips, punctures, scratches or any damage caused by improper installation or use.
4. Fading and/or discoloration of materials resulting from exposure to the elements, chemicals, oils, fluids or any other cause are not covered.

To make a claim, contact us by the email address or the toll-free number below. Please have available a copy of the original sales receipt along with a brief description of the problem. Please also provide your email address and daytime telephone or cell phone #. All items may be charged actual freight costs plus \$15 for handling. Repairs or replacement will be made at the Manufacturer’s option. **Sales and use taxes, plus shipping and handling charges are the responsibility of the consumer.**

**THIS IS THE ENTIRE EXCLUSIVE EXPRESS LIMITED LIABILITY. THE MANUFACTURER NEITHER MAKES NOR IS RESPONSIBLE FOR ANY OTHER WARRANTIES, EITHER EXPRESS OR IMPLIED, INCLUDING THOSE OF RETAILING DEALERS. THIS EXCLUSIVE REMEDY IS LIMITED TO RECEIPT OF A CREDIT IN CONNECTION WITH THE REPAIR OR REPLACEMENT OF ANY PRODUCT OR COMPONENT DEEMED TO BE DEFECTIVE UNDER THE TERMS AND CONDITIONS AS STATED IN THIS WARRANTY. NEITHER HANOVER, THE PRODUCT MANUFACTURER NOR ITS AGENTS SHALL BE LIABLE IN ANY CASE FOR INCIDENTAL, INDIRECT, SPECIAL OR CONSEQUENTIAL DAMAGES RESULTING FROM THE USE OF THIS PRODUCT OR ARISING OUT OF ANY BREACH OF THIS WARRANTY OR NEGLIGENCE EVEN IF IT HAS BEEN ADVISED OF THE POSSIBILITY OF SUCH DAMAGES. EXCEPT AS OTHERWISE MAY BE REQUIRED BY LAW, THERE ARE NO OTHER EXPRESS OR IMPLIED WARRANTIES OTHER THAN THE WARRANTY DESCRIBED HEREIN, AND ALL OTHER WARRANTIES, INCLUDING ANY IMPLIED WARRANTY OF MERCHANTABILITY OR FITNESS FOR A PARTICULAR PURPOSE ARE EXPRESSLY DISCLAIMED.**

**Contact Warranty Services at 1-877-397-5144**

Or email us at:

**ContactUs.Hanover-Products.com**

or

**www.Hanover-Products.com**

8/1/2019